

The Moulding Glossary

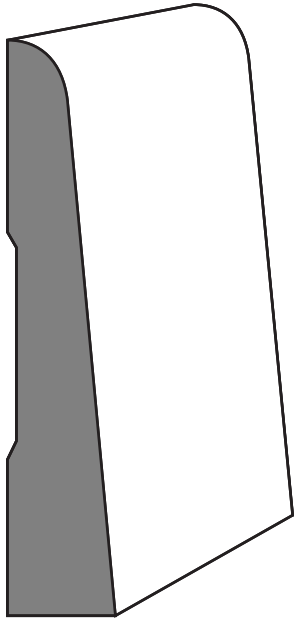
This catalog contains illustrations of the moulding profiles available from Terry Lumber. Each illustration is scaled at 100% with the face shown in a prospective view. The cross-sections at the left provide typical uses of the profile that are found in the catalog sections that follow and are grouped by profile type as identified on the right of the page.

The profiles presented in this catalog are available in a variety of hardwoods. To check on availability, to have a custom profile made, or for any other information not listed in our catalog please contact our sales staff.

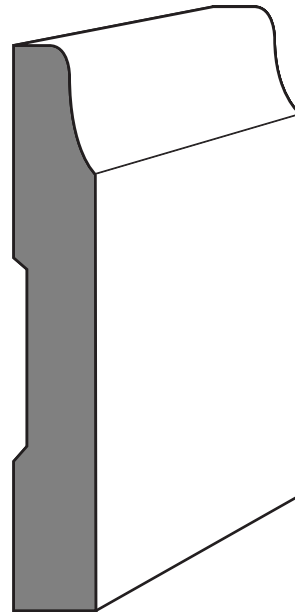


Content Page

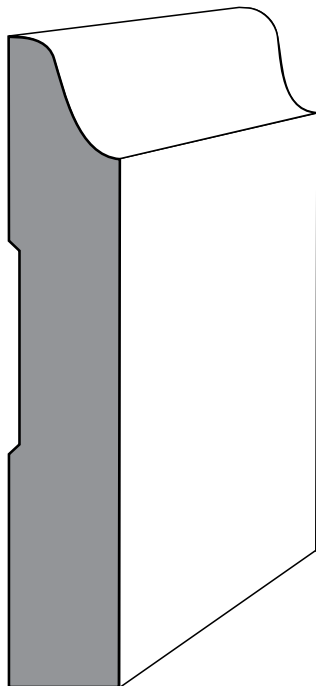
www.TerryLumberSupply.com



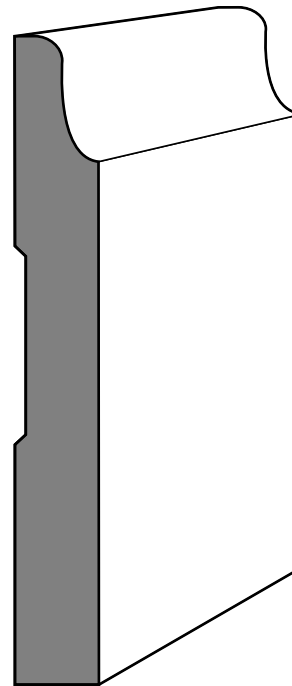
3" Modern



3" OG Base



5/8 x 3 1/2" OG Base



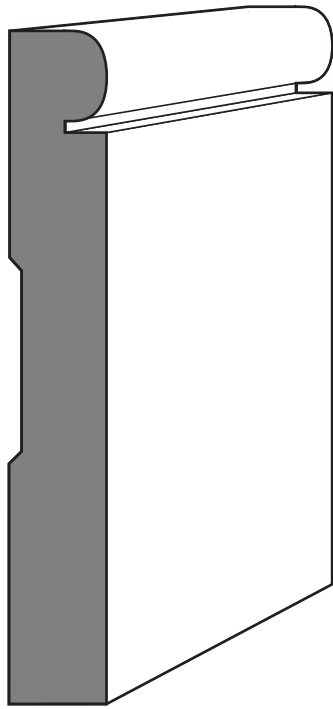
3 1/2" OG

TLS - 02.15

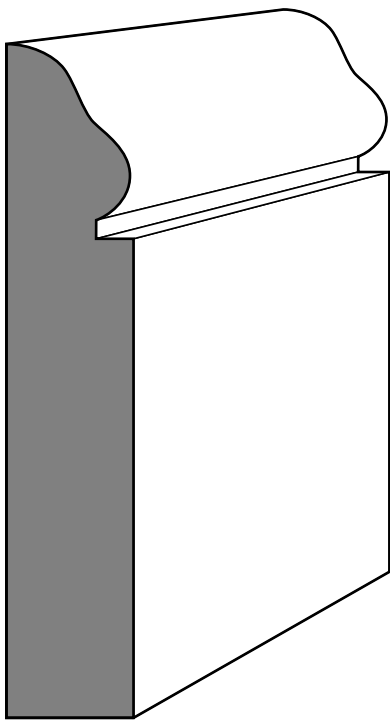
Terry Lumber & Supply Company Inc.
Lumber, Builder's Supplies, Coal, Hardware, Mill Work
1710 West Mill Street | PO Box 216 | Peninsula, Ohio 44264
Akron: 330 657-2811 Cleveland: 330 659-6800 Fax 330 657-2940



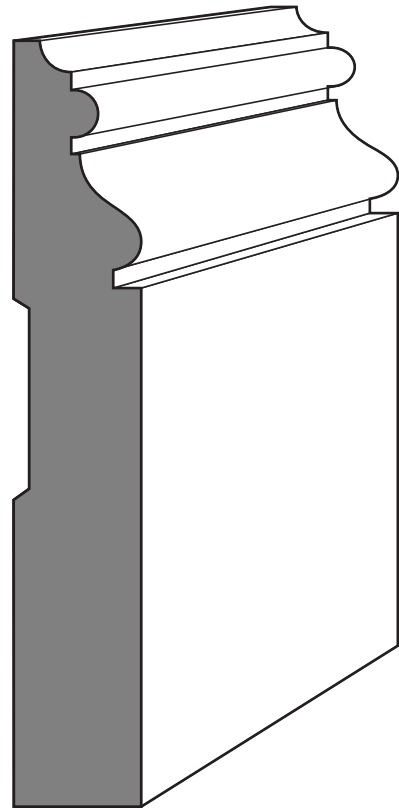
Base Moulding Profiles
www.TerryLumberSupply.com



3 1/2" 752



3 1/2" Perry Base



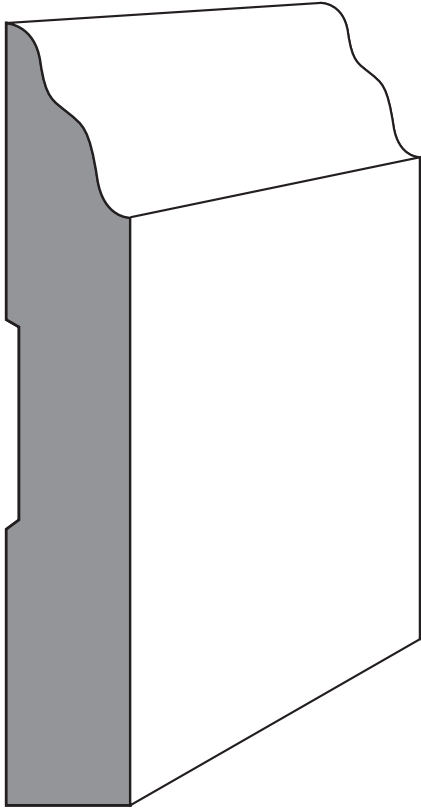
4" K Base

TLS - 02.04

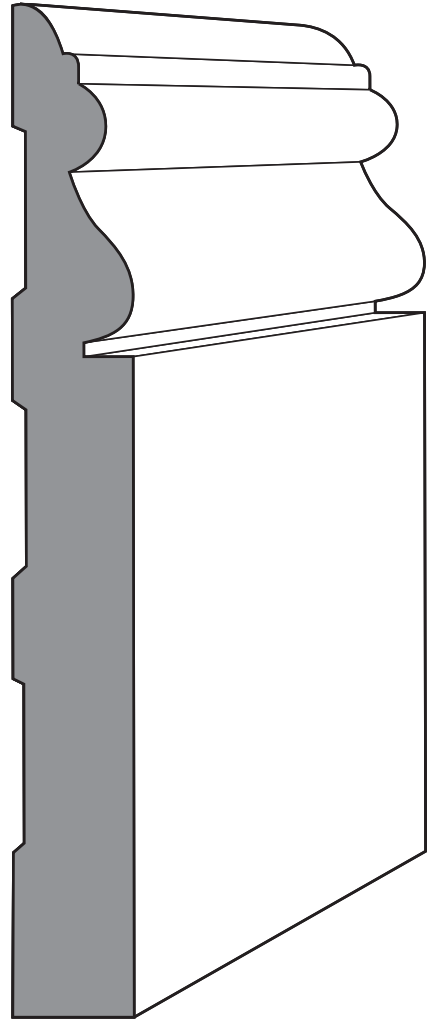
Terry Lumber & Supply Company Inc.
Lumber, Builder's Supplies, Coal, Hardware, Mill Work
1710 West Mill Street | PO Box 216 | Peninsula, Ohio 44264
Akron: 330 657-2811 Cleveland: 330 659-6800 Fax 330 657-2940



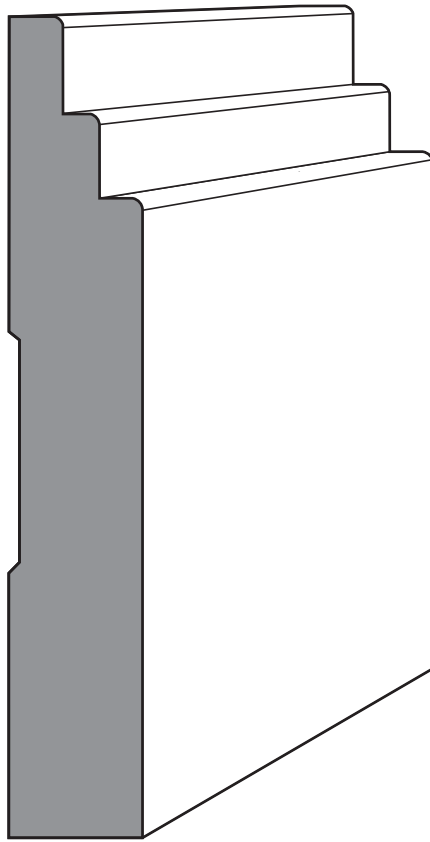
Base Moulding Profiles
www.TerryLumberSupply.com



4" Red



5 1/4" Lower



4 1/4" Step

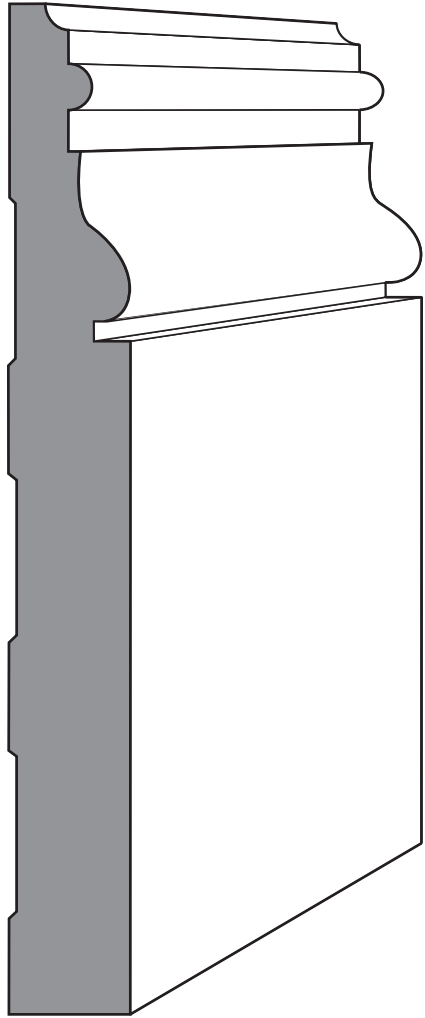
TLS - 02.04

Terry Lumber & Supply Company Inc.
Lumber, Builder's Supplies, Coal, Hardware, Mill Work

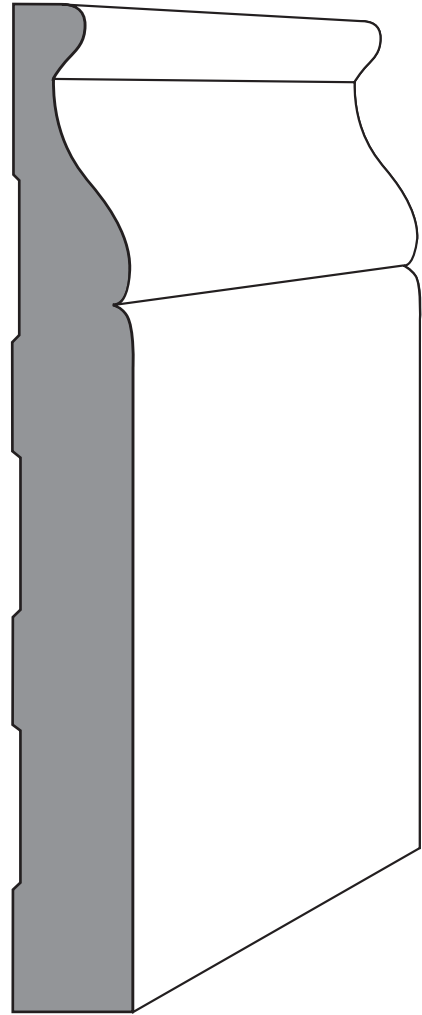
1710 West Mill Street | PO Box 216 | Peninsula, Ohio 44264
Akron: 330 657-2811 Cleveland: 330 659-6800 Fax 330 657-2940



Base Moulding Profiles
www.TerryLumberSupply.com



5 1/4" K



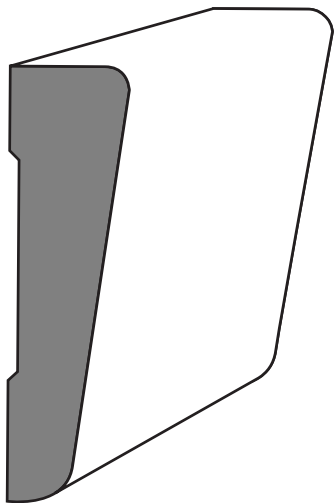
5/8 x 5 1/4" Speed Base

TLS - 02.15

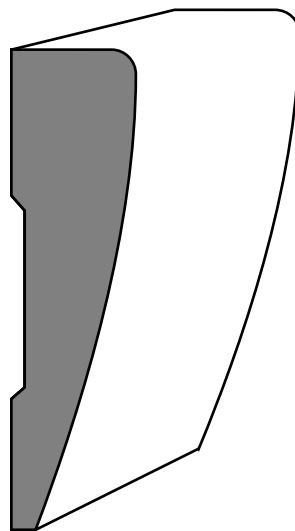
Terry Lumber & Supply Company Inc.
Lumber, Builder's Supplies, Coal, Hardware, Mill Work
1710 West Mill Street | PO Box 216 | Peninsula, Ohio 44264
Akron: 330 657-2811 Cleveland: 330 659-6800 Fax 330 657-2940



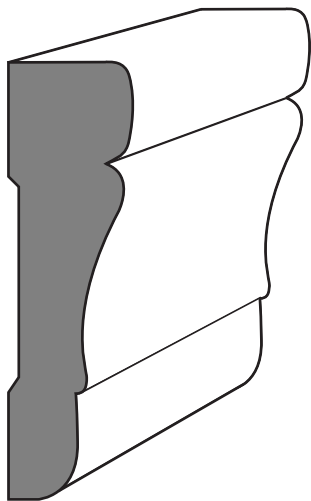
Base Moulding Profiles
www.TerryLumberSupply.com



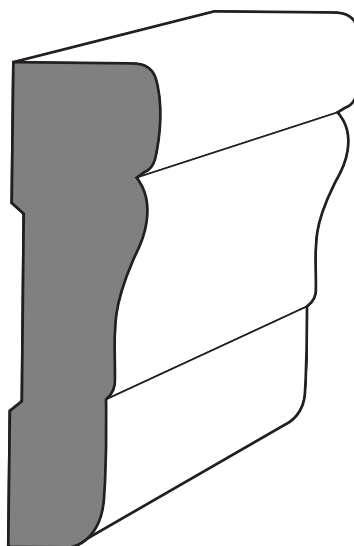
2 1/4" Modern



2 1/2" Modern



2 1/4" OG



2 1/2" OG

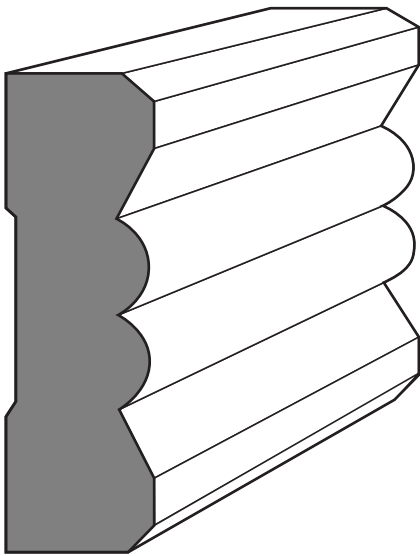
TLS - 03.07

Terry Lumber & Supply Company Inc.
Lumber, Builder's Supplies, Coal, Hardware, Mill Work

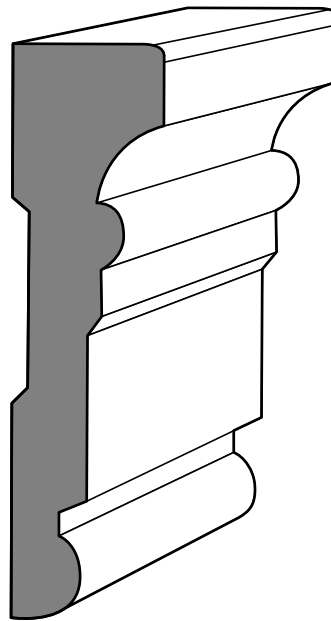
1710 West Mill Street | PO Box 216 | Peninsula, Ohio 44264
Akron: 330 657-2811 Cleveland: 330 659-6800 Fax 330 657-2940



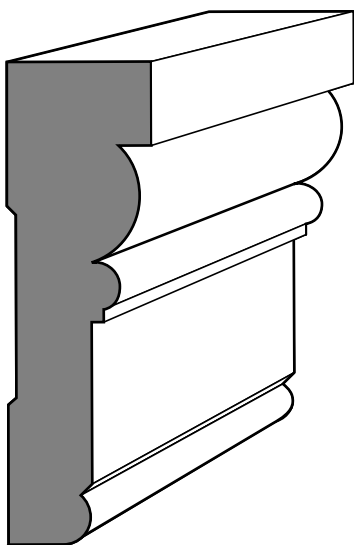
Casing Moulding Profiles
www.TerryLumberSupply.com



2 1/2" Double Bead



3" JB-100



2 1/2" Razny

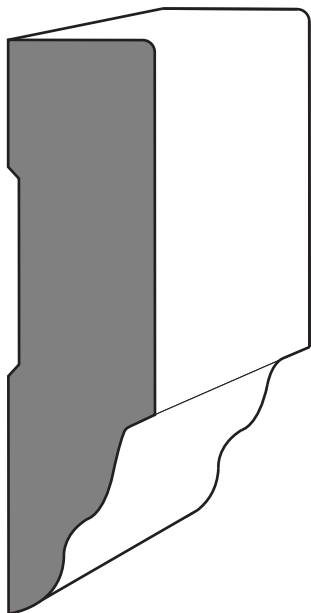
TLS - 03.07

Terry Lumber & Supply Company Inc.
Lumber, Builder's Supplies, Coal, Hardware, Mill Work

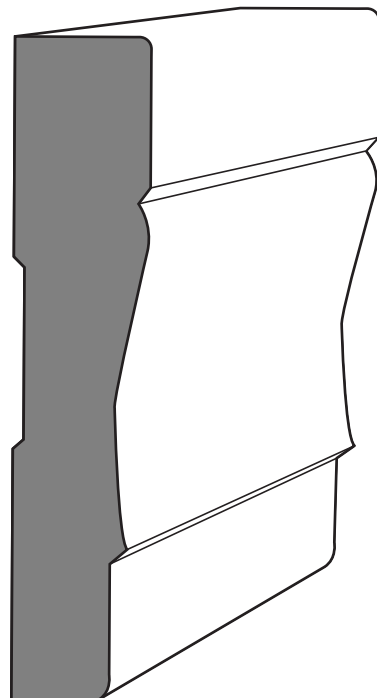
1710 West Mill Street | PO Box 216 | Peninsula, Ohio 44264
Akron: 330 657-2811 Cleveland: 330 659-6800 Fax 330 657-2940



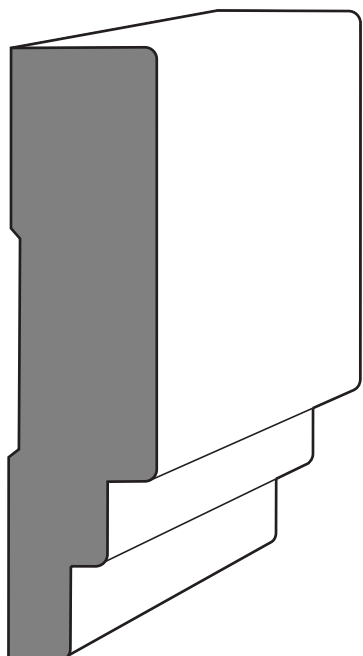
Casing Moulding Profiles
www.TerryLumberSupply.com



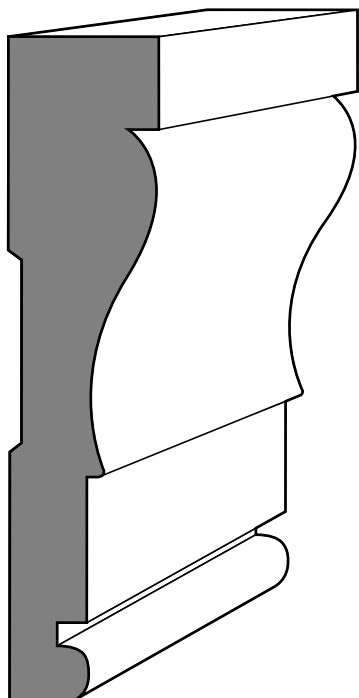
3" Red



3 1/2" OG



3 1/4" Step



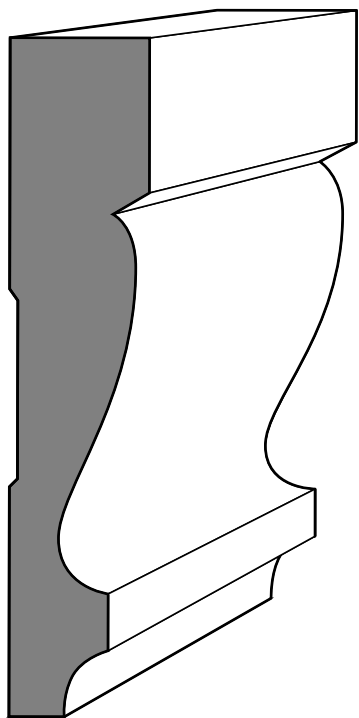
3 1/2" DC-99

TLS - 12.01

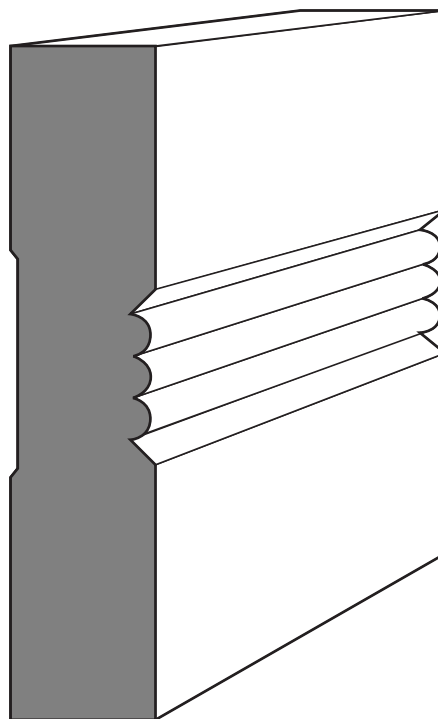
Terry Lumber & Supply Company Inc.
Lumber, Builder's Supplies, Coal, Hardware, Mill Work
1710 West Mill Street | PO Box 216 | Peninsula, Ohio 44264
Akron: 330 657-2811 Cleveland: 330 659-6800 Fax 330 657-2940



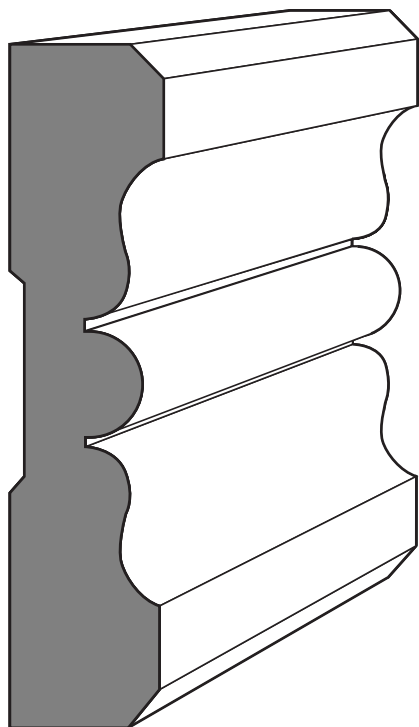
Casing Moulding Profiles
www.TerryLumberSupply.com



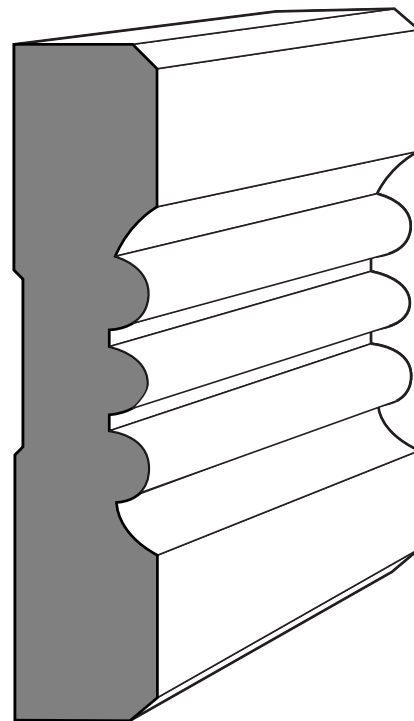
3 1/2" Jadud



3 1/2" Mazco



3 1/2" Single Bead



3 1/2" Bartlo

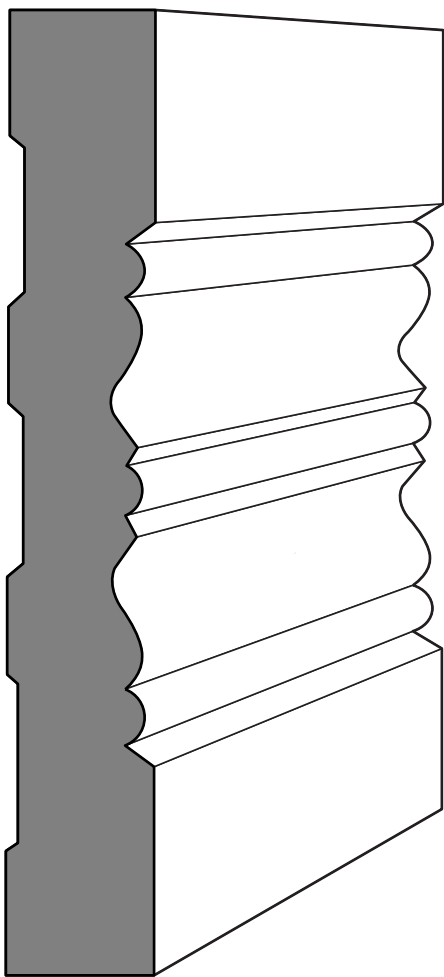
TLS - 12.01

Terry Lumber & Supply Company Inc.
Lumber, Builder's Supplies, Coal, Hardware, Mill Work

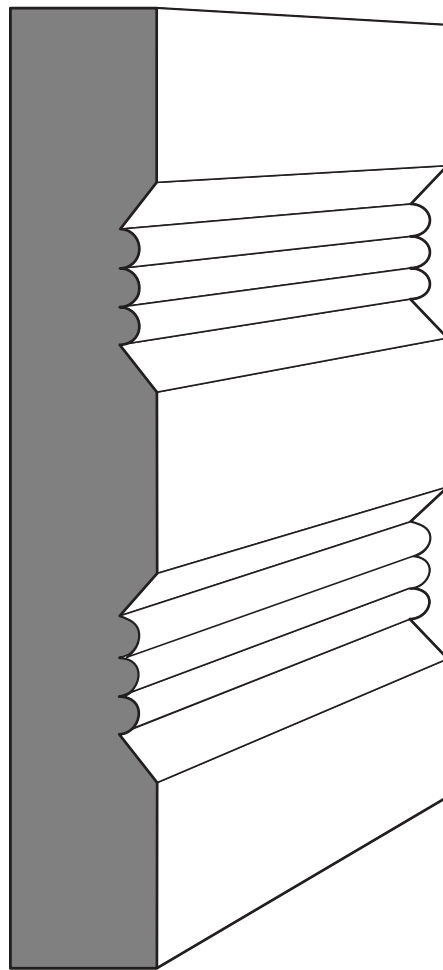
1710 West Mill Street | PO Box 216 | Peninsula, Ohio 44264
Akron: 330 657-2811 Cleveland: 330 659-6800 Fax 330 657-2940



Casing Moulding Profiles
www.TerryLumberSupply.com



5" Scalloped Casing



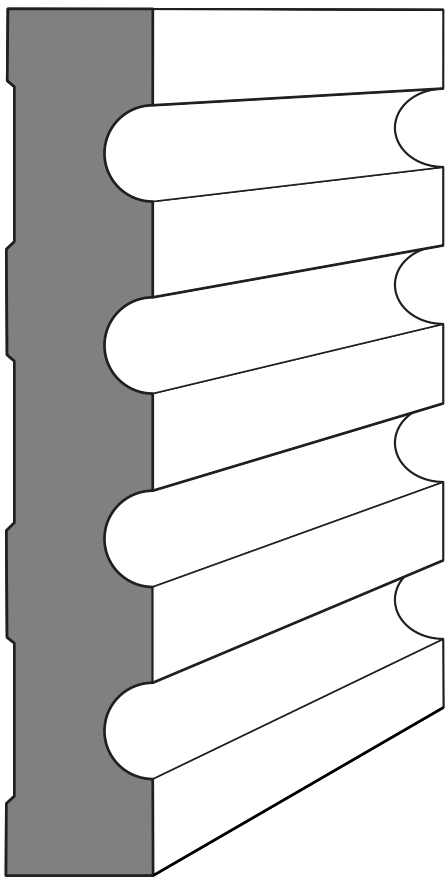
5" Park

TLS - 03.07

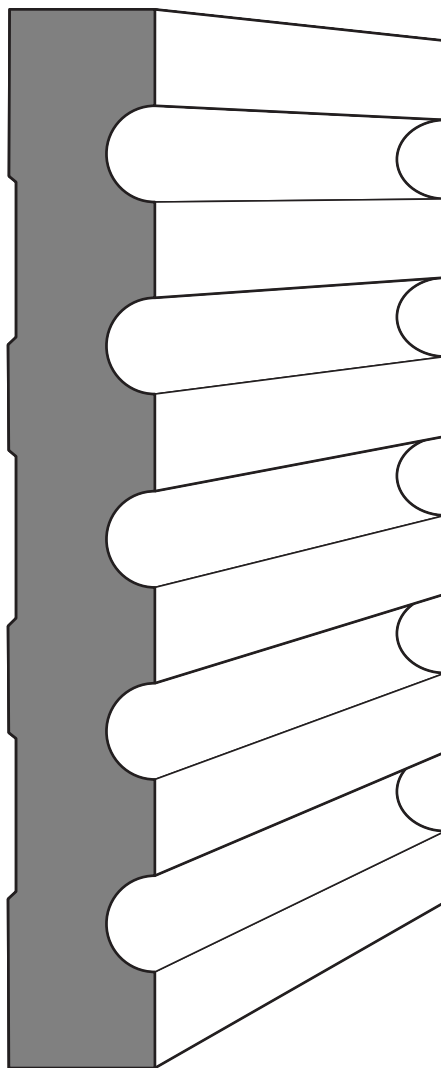
Terry Lumber & Supply Company Inc.
Lumber, Builder's Supplies, Coal, Hardware, Mill Work
1710 West Mill Street | PO Box 216 | Peninsula, Ohio 44264
Akron: 330 657-2811 Cleveland: 330 659-6800 Fax 330 657-2940



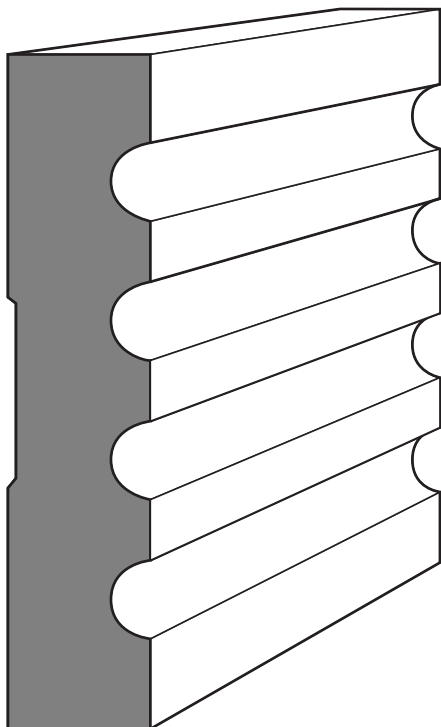
Casing Moulding Profiles
www.TerryLumberSupply.com



4 1/2" Fluted



5 1/2" Fluted



3 1/2" Fluted

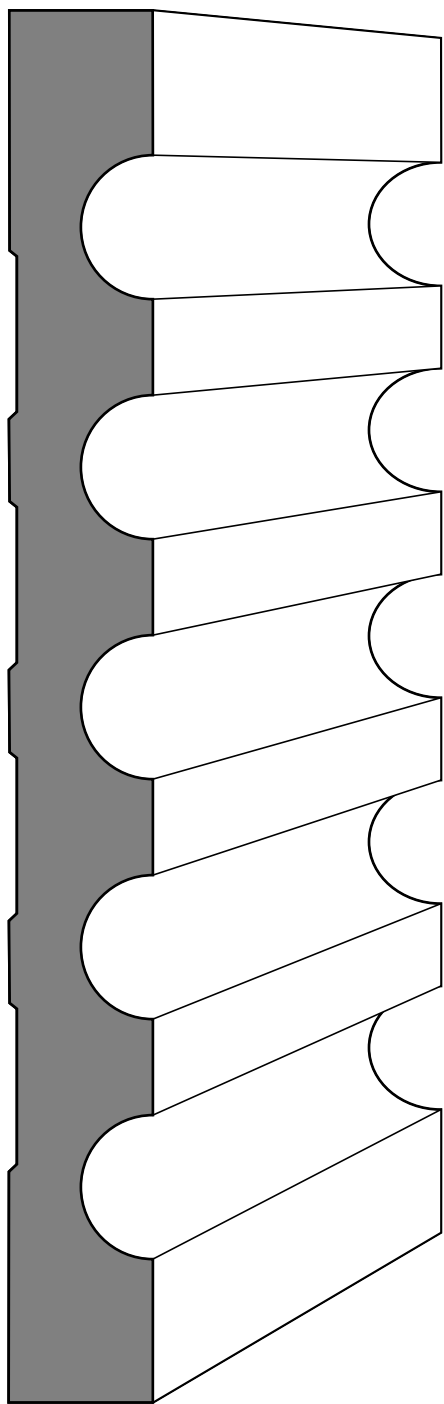
TLS - 03.07

Terry Lumber & Supply Company Inc.
Lumber, Builder's Supplies, Coal, Hardware, Mill Work

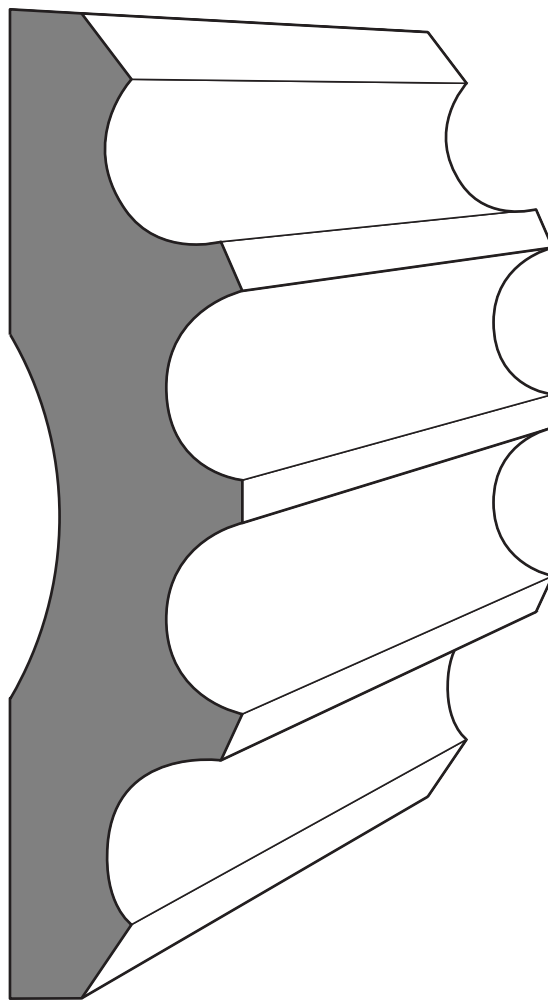
1710 West Mill Street | PO Box 216 | Peninsula, Ohio 44264
Akron: 330 657-2811 Cleveland: 330 659-6800 Fax 330 657-2940



Casing Moulding Profiles
www.TerryLumberSupply.com



7 1/4" Fluted



1 1/4 x 5" Fickle

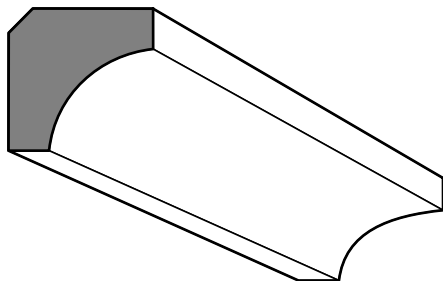
TLS - 03.07

Terry Lumber & Supply Company Inc.
Lumber, Builder's Supplies, Coal, Hardware, Mill Work

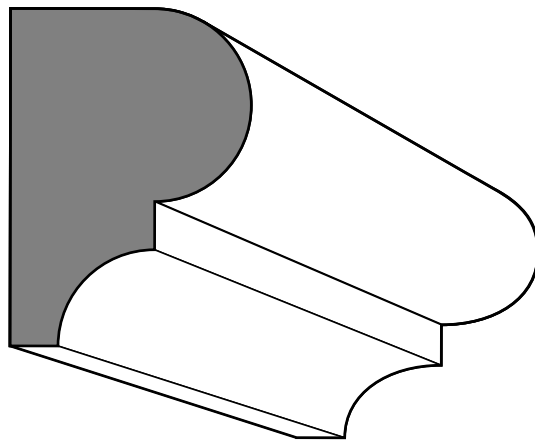
1710 West Mill Street | PO Box 216 | Peninsula, Ohio 44264
Akron: 330 657-2811 Cleveland: 330 659-6800 Fax 330 657-2940



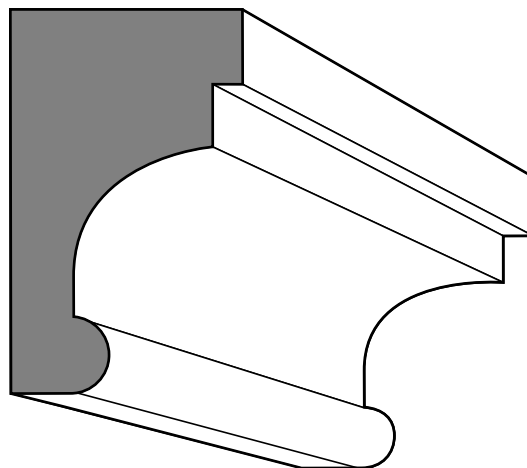
Casing Moulding Profiles
www.TerryLumberSupply.com



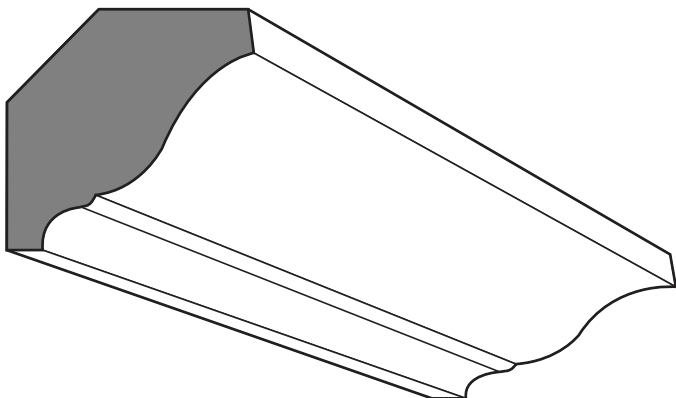
3/4" x 3/4" Cove



1 1/4" x 1 3/4" Geauga



1 1/4" x 2" Krusty



1 3/4" Crown

TLS - 12.01

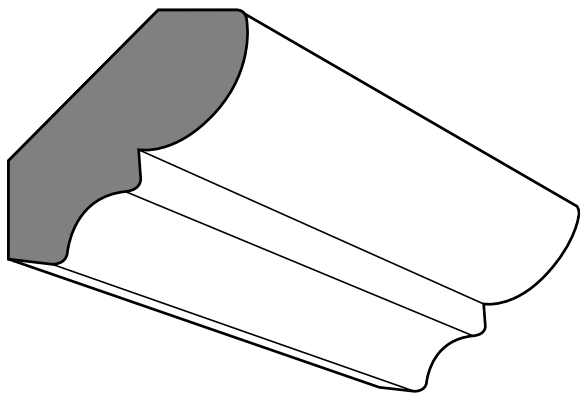
Terry Lumber & Supply Company Inc.
Lumber, Builder's Supplies, Coal, Hardware, Mill Work

1710 West Mill Street | PO Box 216 | Peninsula, Ohio 44264
Akron: 330 657-2811 Cleveland: 330 659-6800 Fax 330 657-2940

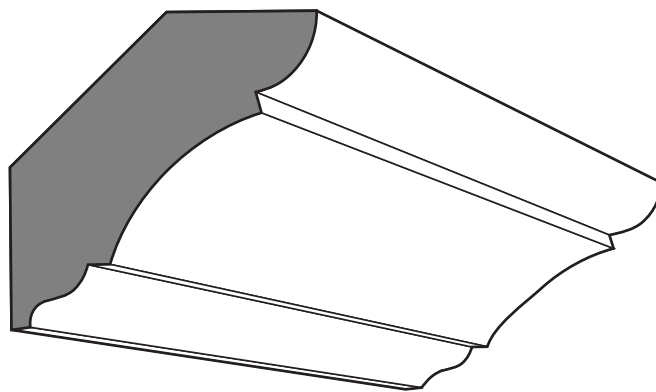


Crown Moulding Profiles

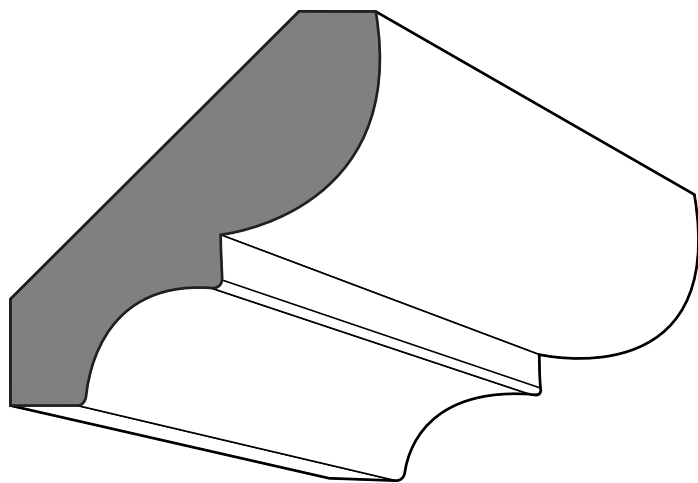
www.TerryLumberSupply.com



1 3/4" Bed Mould



2 1/4" Crown



2 3/4" Bed Mould

TLS - 12.01

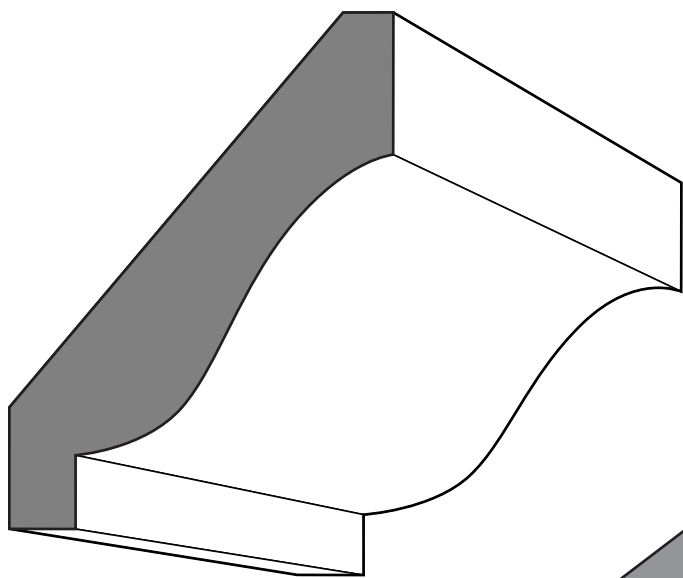
Terry Lumber & Supply Company Inc.
Lumber, Builder's Supplies, Coal, Hardware, Mill Work

1710 West Mill Street | PO Box 216 | Peninsula, Ohio 44264
Akron: 330 657-2811 Cleveland: 330 659-6800 Fax 330 657-2940

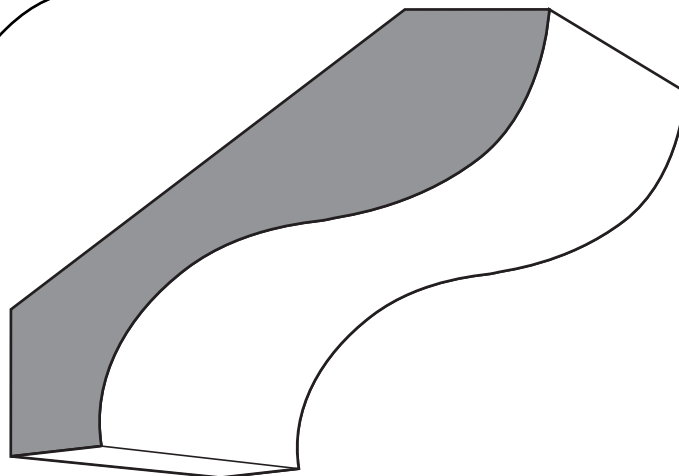


Crown Moulding Profiles

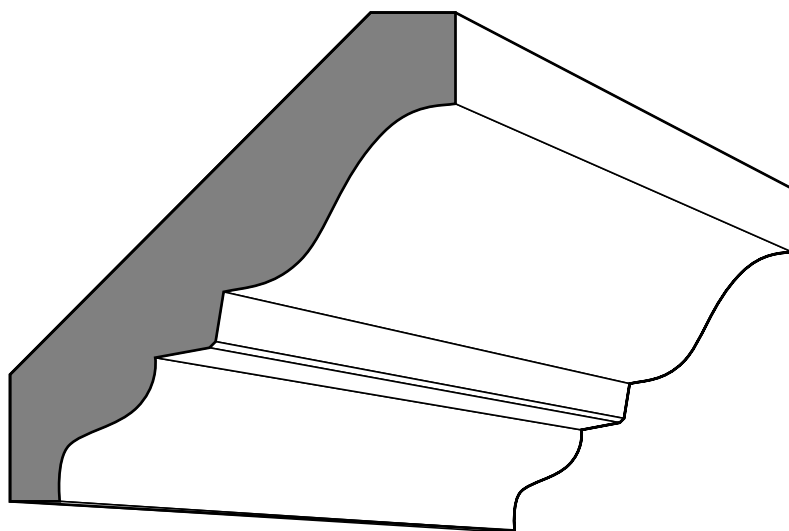
www.TerryLumberSupply.com



3 1/4" Crown



3 1/2" Crown



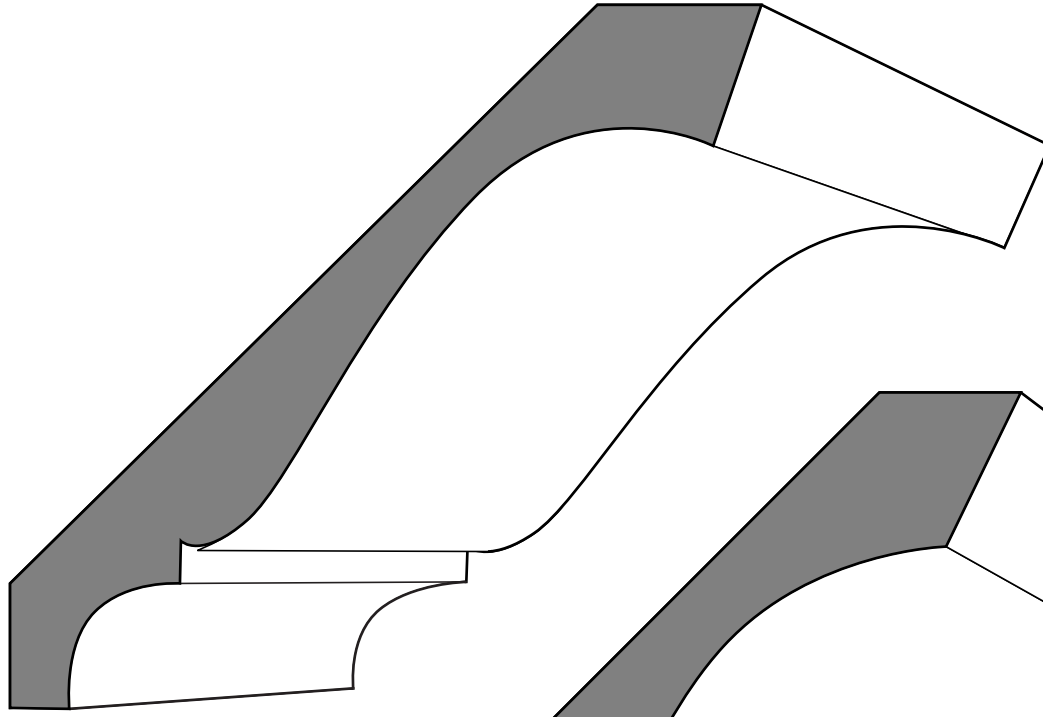
3 3/8" Crown

TLS - 02.04

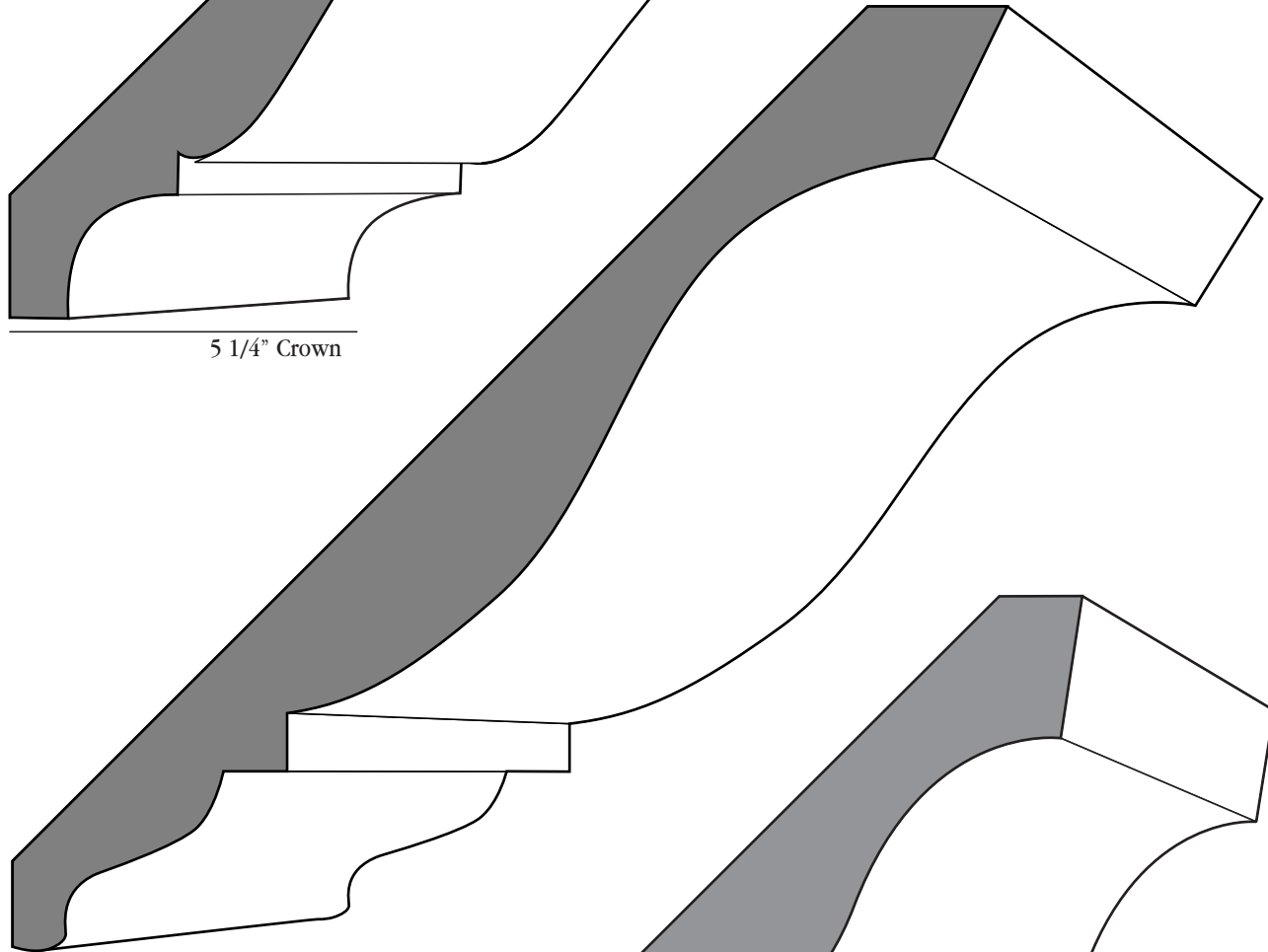
Terry Lumber & Supply Company Inc.
Lumber, Builder's Supplies, Coal, Hardware, Mill Work
1710 West Mill Street | PO Box 216 | Peninsula, Ohio 44264
Akron: 330 657-2811 Cleveland: 330 659-6800 Fax 330 657-2940



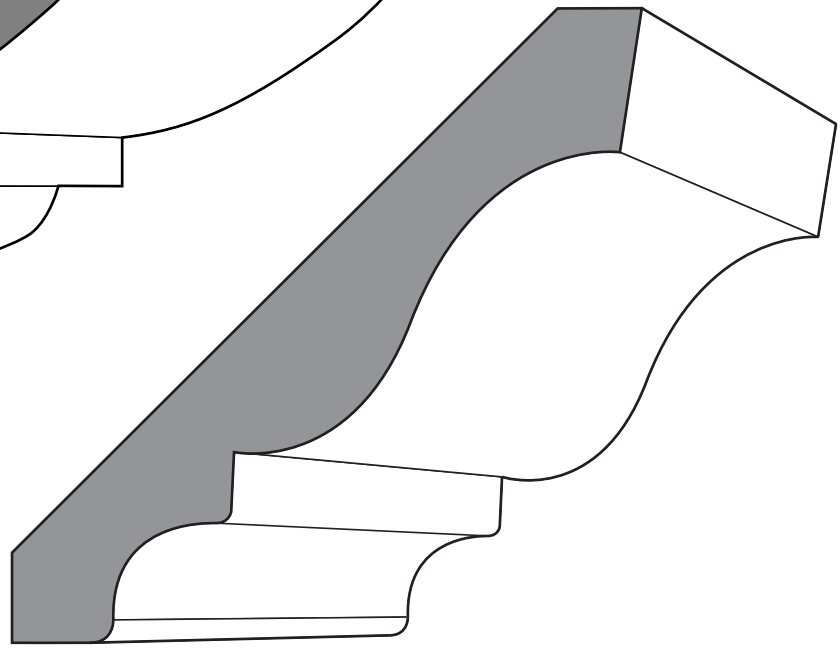
Crown Moulding Profiles
www.TerryLumberSupply.com



5 1/4" Crown



7 1/4" Crown



4 1/2" Crown

TLS - 02.04

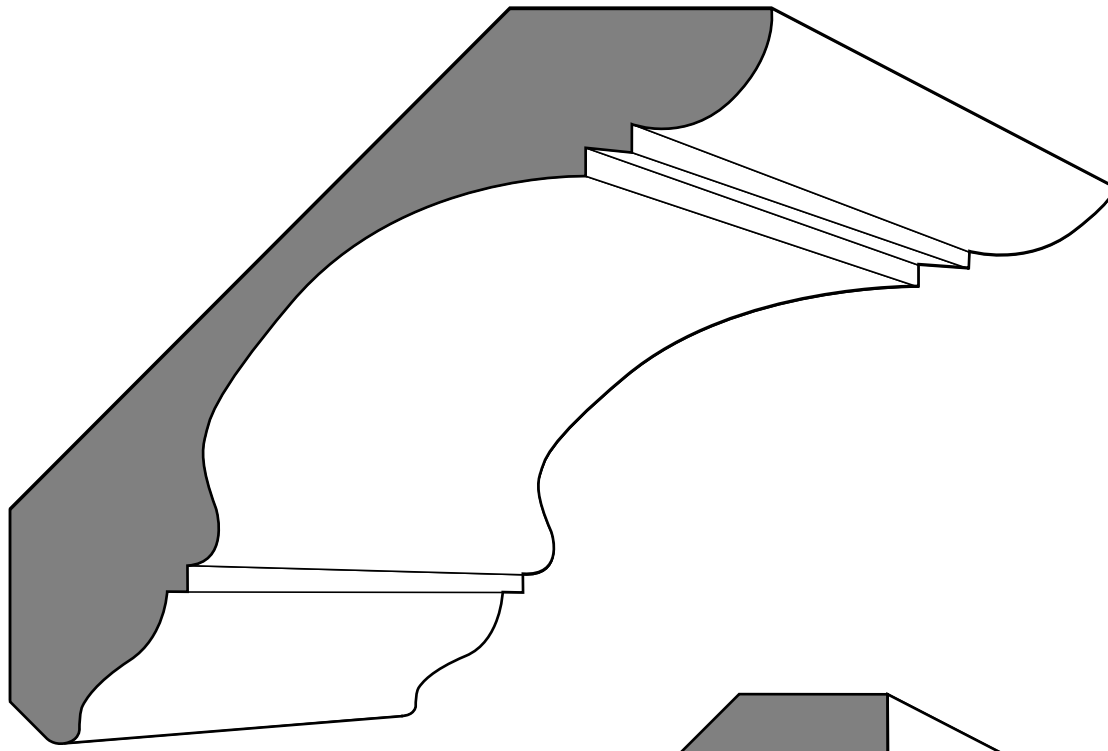
Terry Lumber & Supply Company Inc.
Lumber, Builder's Supplies, Coal, Hardware, Mill Work

1710 West Mill Street | PO Box 216 | Peninsula, Ohio 44264
Akron: 330 657-2811 Cleveland: 330 659-6800 Fax 330 657-2940

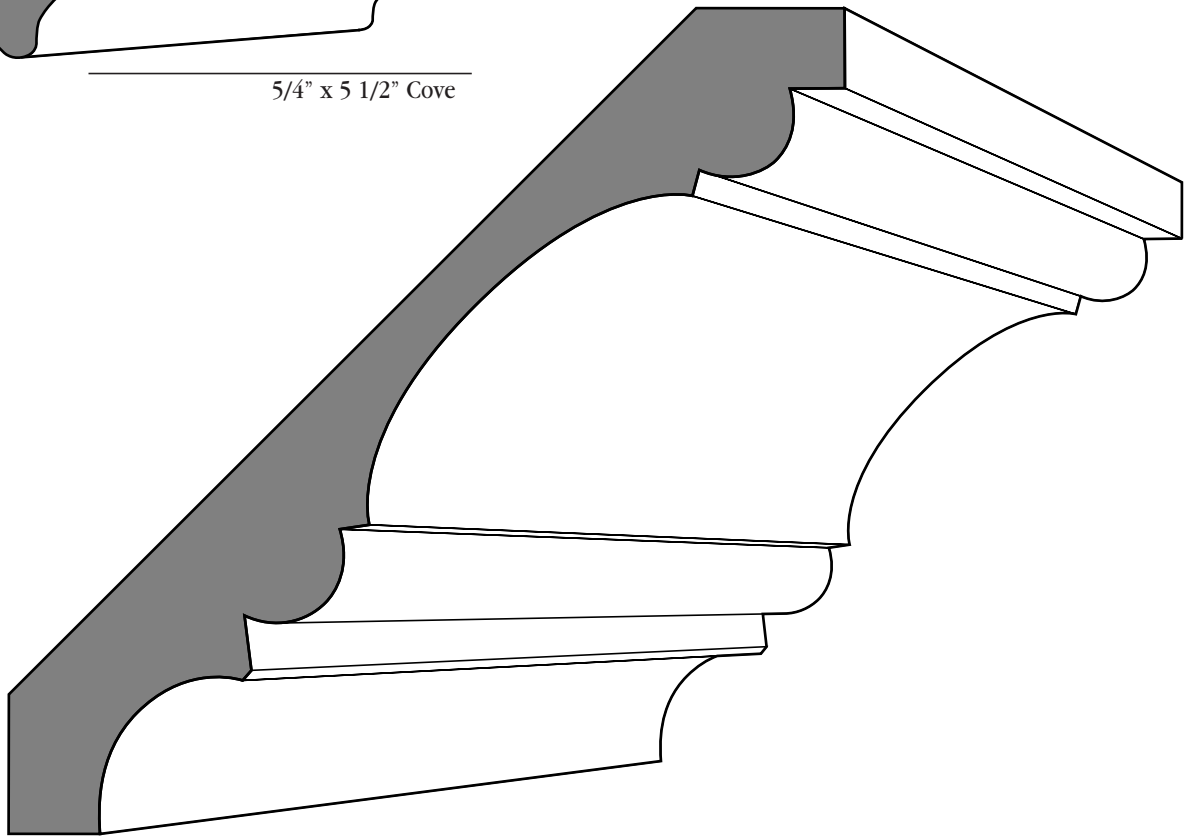


Crown Moulding Profiles

www.TerryLumberSupply.com



5/4" x 5 1/2" Cove



6" Themis Crown

TLS - 02.04

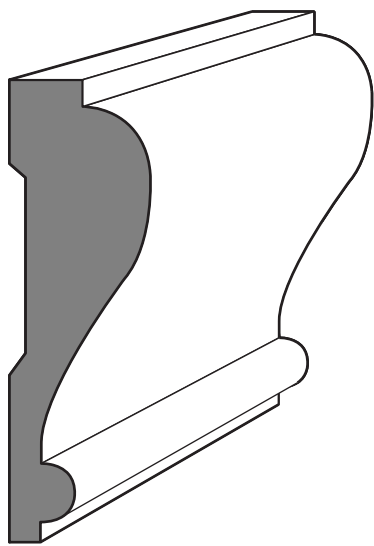
Terry Lumber & Supply Company Inc.
Lumber, Builder's Supplies, Coal, Hardware, Mill Work

1710 West Mill Street | PO Box 216 | Peninsula, Ohio 44264
Akron: 330 657-2811 Cleveland: 330 659-6800 Fax 330 657-2940

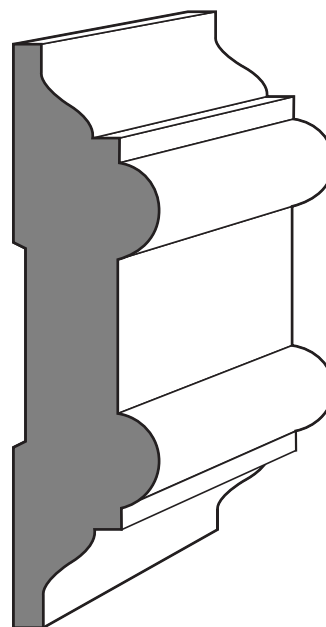


Crown Moulding Profiles

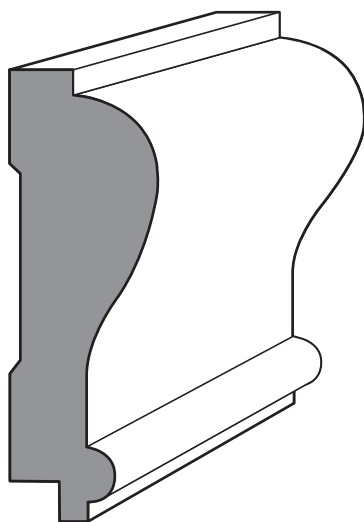
www.TerryLumberSupply.com



2 3/8" Chair Rail



3/4" x 3" RFC Chair Rail



2 3/8" Chair Rail w/Rabbit

TLS - 12.01

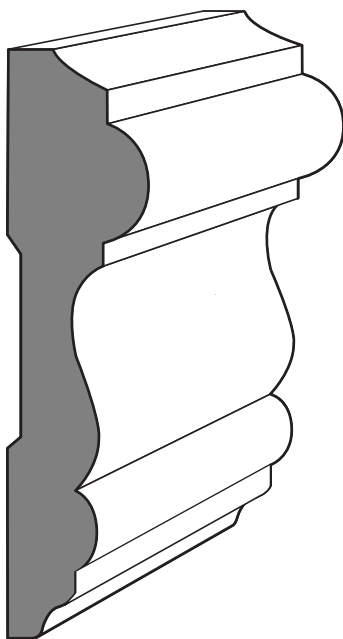
Terry Lumber & Supply Company Inc.
Lumber, Builder's Supplies, Coal, Hardware, Mill Work

1710 West Mill Street | PO Box 216 | Peninsula, Ohio 44264
Akron: 330 657-2811 Cleveland: 330 659-6800 Fax 330 657-2940

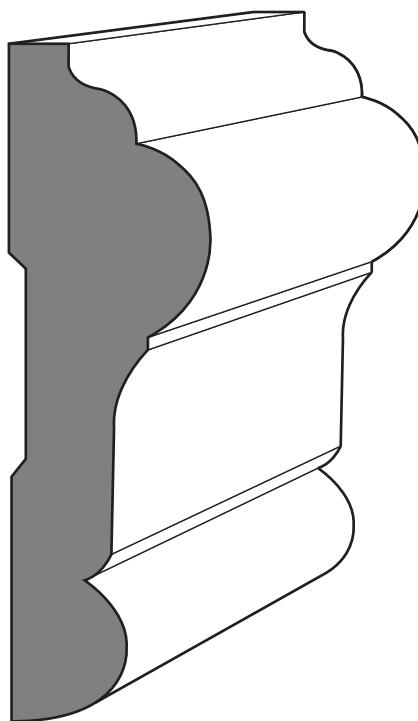


Chair Rail Profiles

www.TerryLumberSupply.com



11/16" x 3" Nebraska



5/4" x 3 1/2" Chair Rail

TLS - 12.01

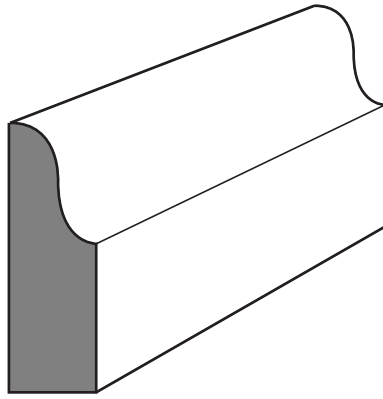
Terry Lumber & Supply Company Inc.
Lumber, Builder's Supplies, Coal, Hardware, Mill Work

1710 West Mill Street | PO Box 216 | Peninsula, Ohio 44264
Akron: 330 657-2811 Cleveland: 330 659-6800 Fax 330 657-2940

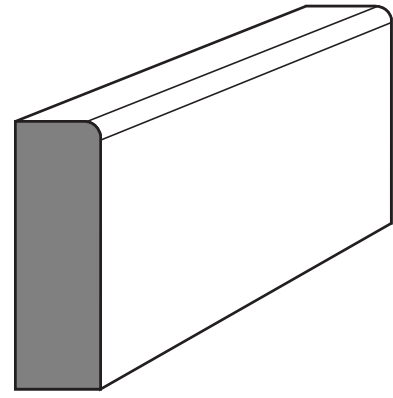


Chair Rail Profiles

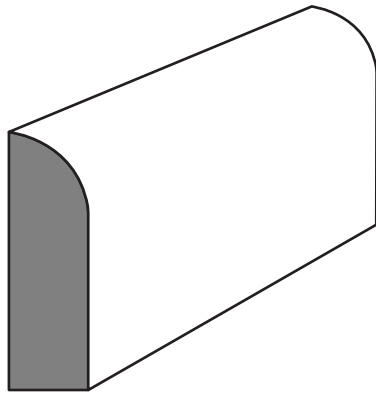
www.TerryLumberSupply.com



7/16" x 1 3/8" OG



7/16" x 1 3/8" WW



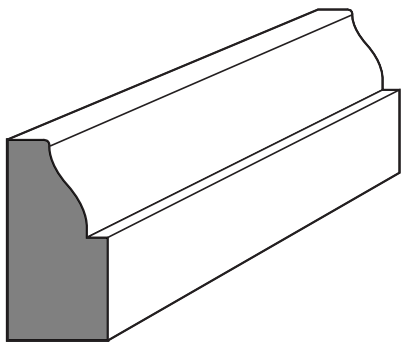
7/16" x 1 3/8" Modern

TLS - 12.01

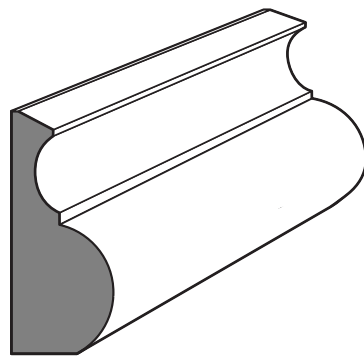
Terry Lumber & Supply Company Inc.
Lumber, Builder's Supplies, Coal, Hardware, Mill Work
1710 West Mill Street | PO Box 216 | Peninsula, Ohio 44264
Akron: 330 657-2811 Cleveland: 330 659-6800 Fax 330 657-2940



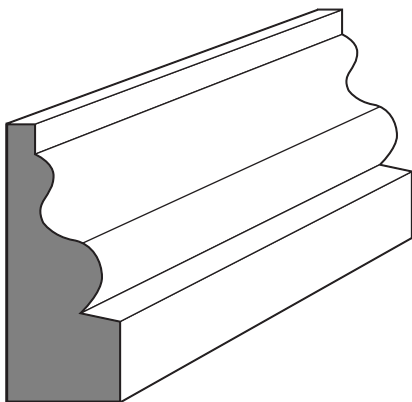
Stop Moulding Profiles
www.TerryLumberSupply.com



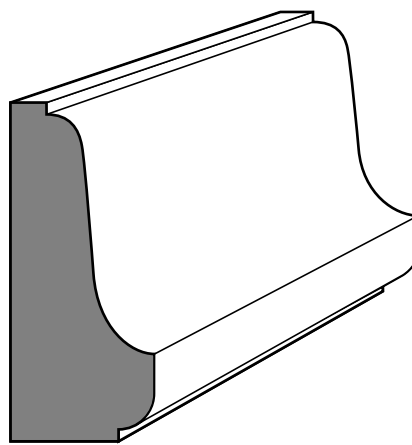
1/2" x 1" Stringer



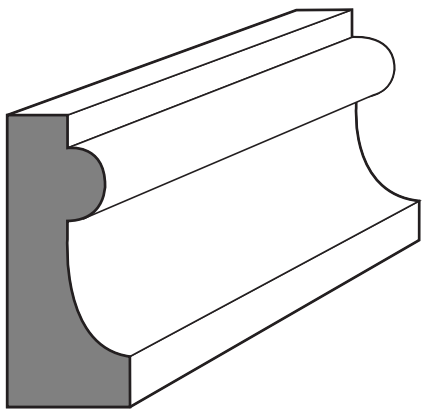
9/16" x 1 1/4" Head Mould



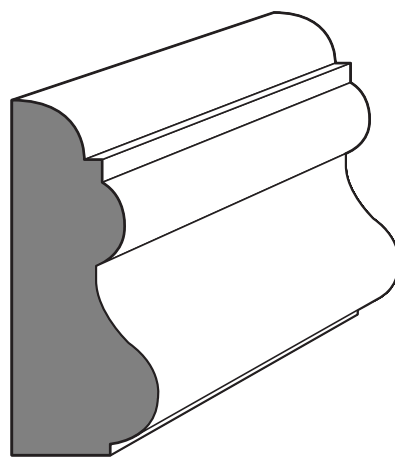
9/16" x 1 7/16" Peninsula



3/4" x 1 3/4" Akron Base Cap



1 1/2" Boggs Base Cap



1 3/4" Lower Base Cap

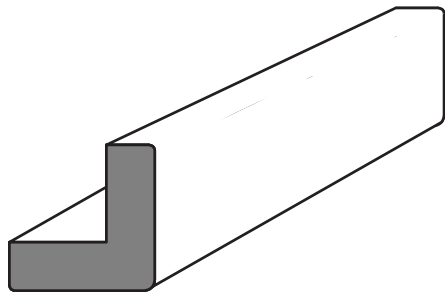
TLS - 03.07

Terry Lumber & Supply Company Inc.
Lumber, Builder's Supplies, Coal, Hardware, Mill Work

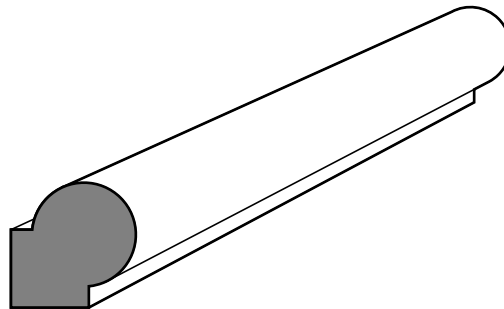
1710 West Mill Street | PO Box 216 | Peninsula, Ohio 44264
Akron: 330 657-2811 Cleveland: 330 659-6800 Fax 330 657-2940



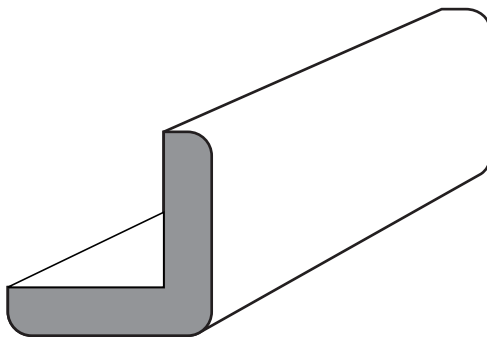
Cap Moulding Profiles
www.TerryLumberSupply.com



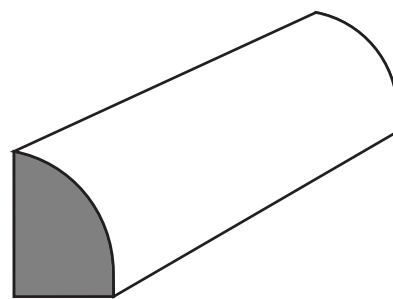
3/4" x 3/4" Outside Corner



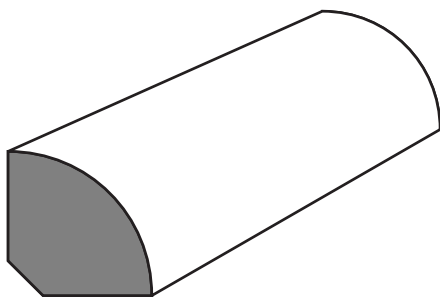
5/8" x 5/8" Pencil Trim



1 1/16" x 1 1/16" Outside Corner



1/2" x 3/4" Shoe



3/4" Quarter Round

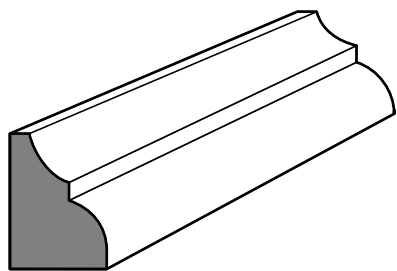
TLS - 03.07

Terry Lumber & Supply Company Inc.
Lumber, Builder's Supplies, Coal, Hardware, Mill Work

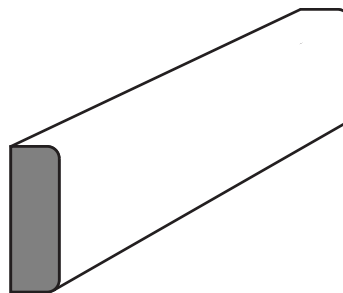
1710 West Mill Street | PO Box 216 | Peninsula, Ohio 44264
Akron: 330 657-2811 Cleveland: 330 659-6800 Fax 330 657-2940



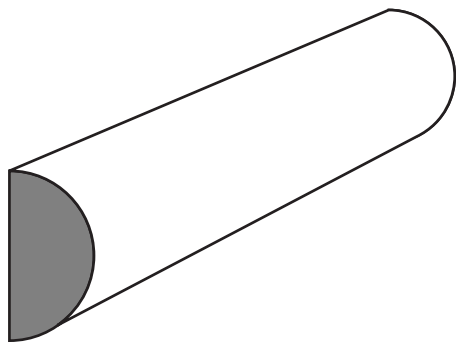
Trim Moulding Profiles
www.TerryLumberSupply.com



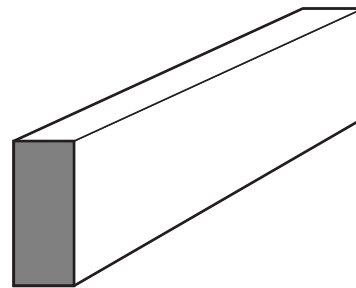
1/2" x 11/16" Glass Bead



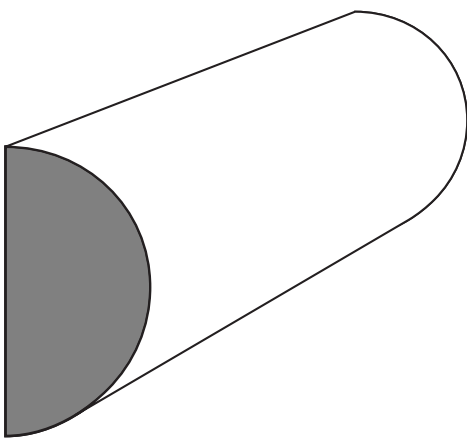
1/4" x 3/4" Shelf Edge 2EE



7/8" Half Round



1/4" x 3/4" Shelf Edge S4S



1 1/2" Half Round

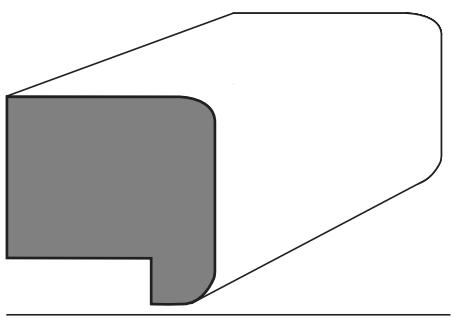
TLS - 12.01

Terry Lumber & Supply Company Inc.
Lumber, Builder's Supplies, Coal, Hardware, Mill Work

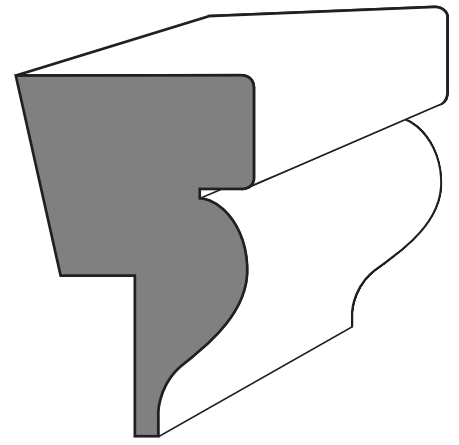
1710 West Mill Street | PO Box 216 | Peninsula, Ohio 44264
Akron: 330 657-2811 Cleveland: 330 659-6800 Fax 330 657-2940



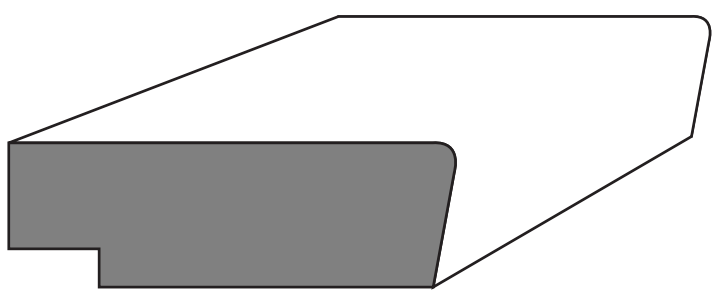
Trim Moulding Profiles
www.TerryLumberSupply.com



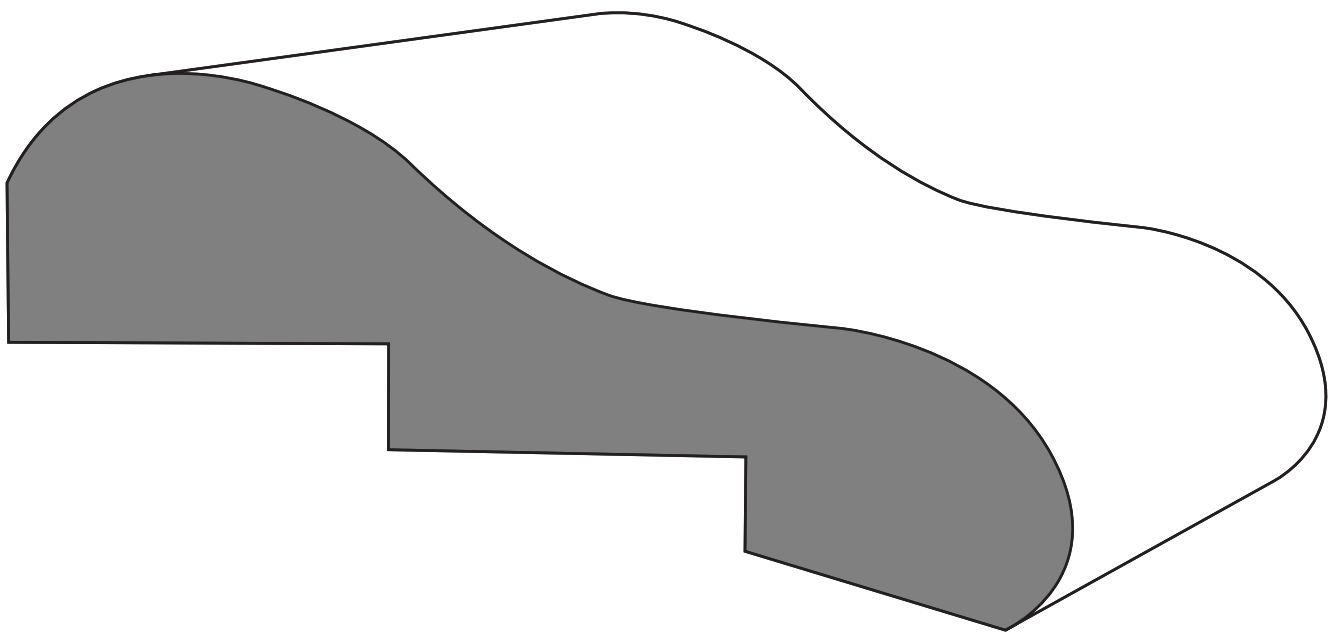
1 1/16" x 11/16" Backband



1 1/4" x 1 7/8" OG Backband



19/32" x 2 3/8" Narrowline



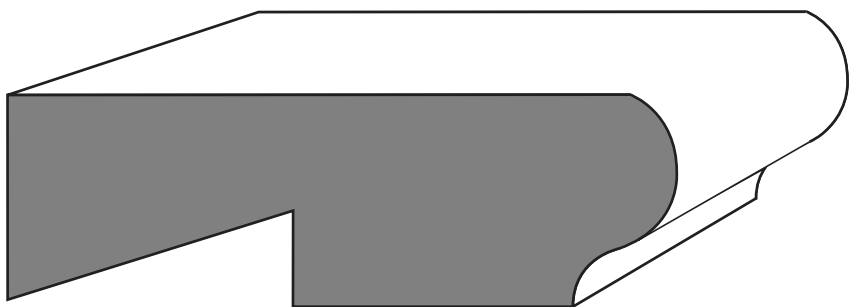
1 3/4" x 5 3/4" Bar Rail

TLS - 02.15

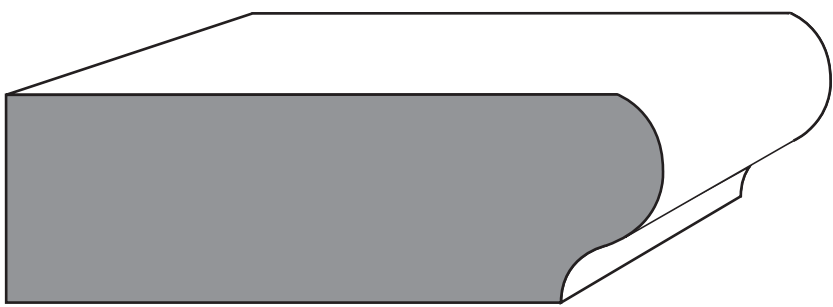
Terry Lumber & Supply Company Inc.
Lumber, Builder's Supplies, Coal, Hardware, Mill Work
1710 West Mill Street | PO Box 216 | Peninsula, Ohio 44264
Akron: 330 657-2811 Cleveland: 330 659-6800 Fax 330 657-2940



Tread and Rail Profiles
www.TerryLumberSupply.com



1 1/16" x 3 1/2" OG Stool



3 1/2" OG Stool - No Rabbet



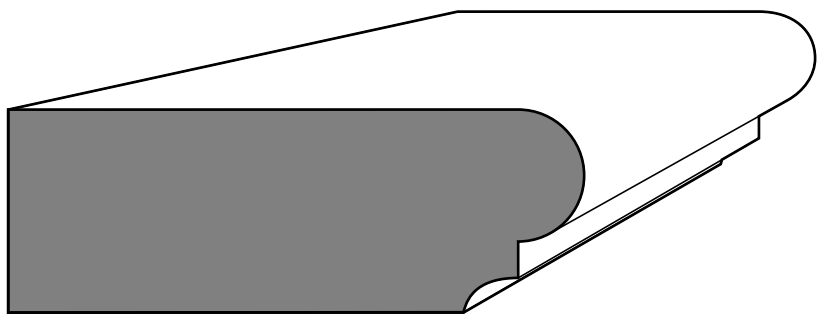
5 1/2" OG Stool - No Rabbet

TLS - 02.15

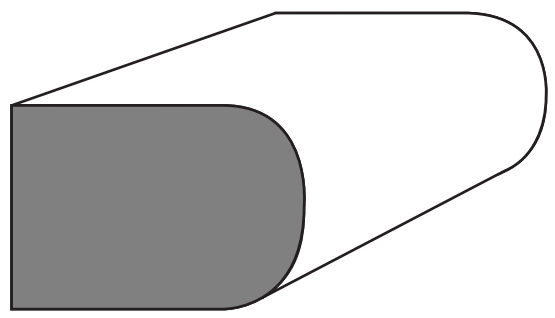
Terry Lumber & Supply Company Inc.
Lumber, Builder's Supplies, Coal, Hardware, Mill Work
1710 West Mill Street | PO Box 216 | Peninsula, Ohio 44264
Akron: 330 657-2811 Cleveland: 330 659-6800 Fax 330 657-2940



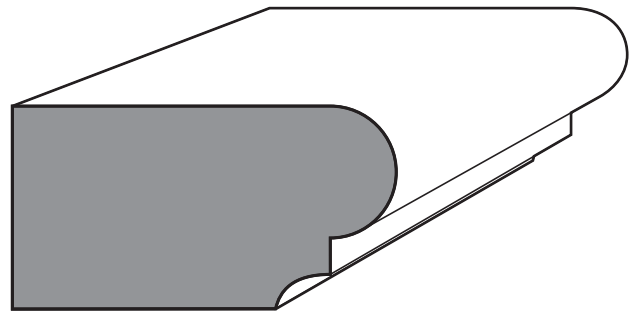
Tread and Rail Profiles
www.TerryLumberSupply.com



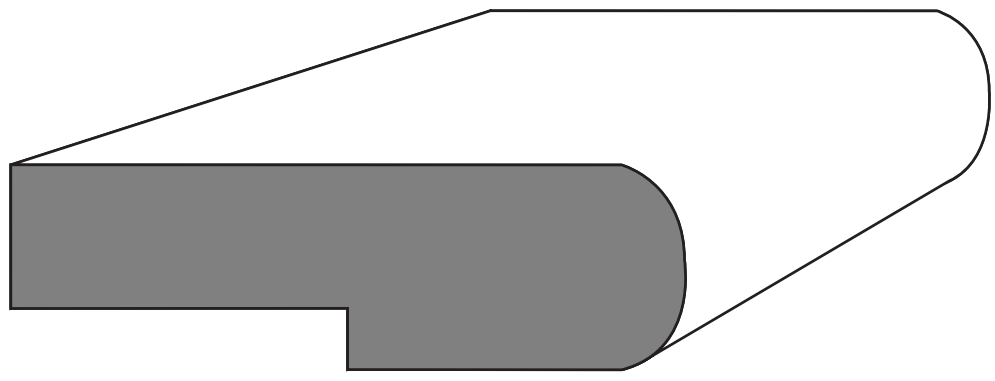
3" RC Stool



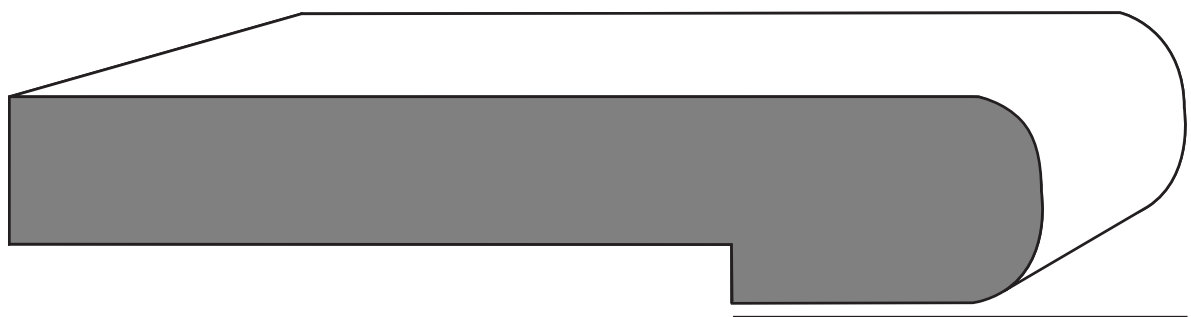
1 1/16" x 1 1/2" Bullnose



2" RC Stool



1 1/16" x 3 1/2" Landing Tread



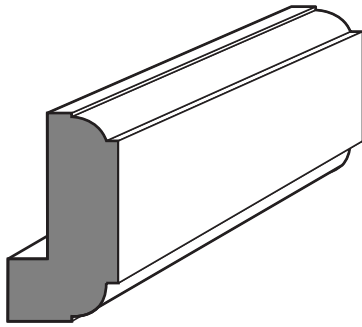
1 1/16" x 5 1/2" Landing Tread

TLS - 02.15

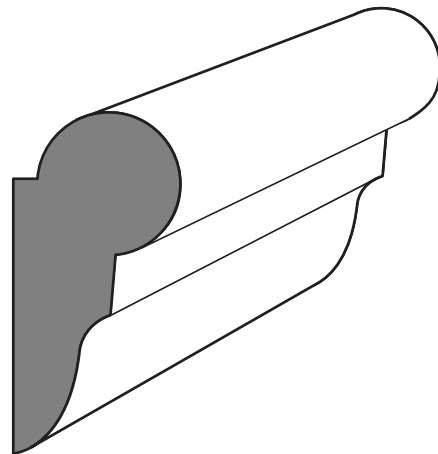
Terry Lumber & Supply Company Inc.
Lumber, Builder's Supplies, Coal, Hardware, Mill Work
1710 West Mill Street | PO Box 216 | Peninsula, Ohio 44264
Akron: 330 657-2811 Cleveland: 330 659-6800 Fax 330 657-2940



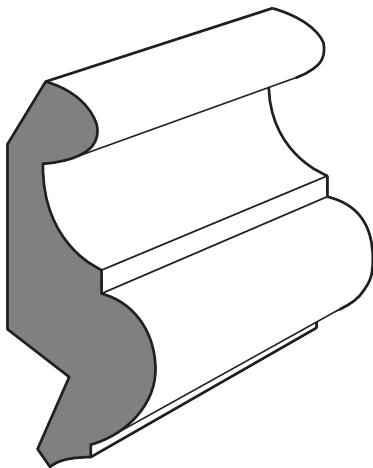
Tread and Rail Profiles
www.TerryLumberSupply.com



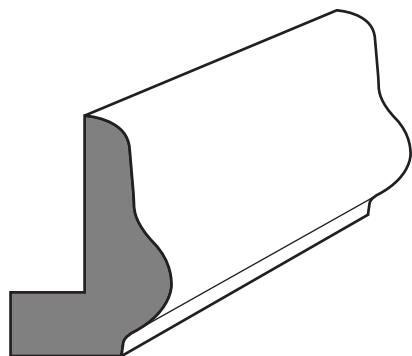
1 1/8" Panel Cap



1 3/4" Picture Mould



3/4" x 2" Raised Panel



1 1/4" Door Lip

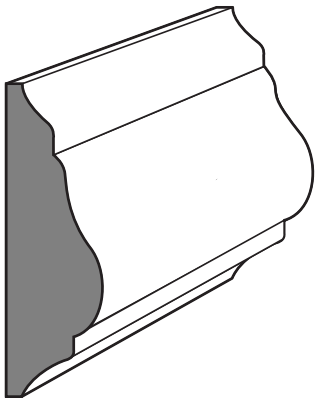
TLS - 02.04

Terry Lumber & Supply Company Inc.
Lumber, Builder's Supplies, Coal, Hardware, Mill Work

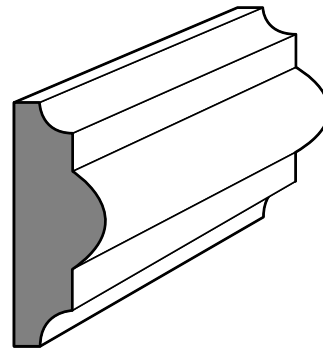
1710 West Mill Street | PO Box 216 | Peninsula, Ohio 44264
Akron: 330 657-2811 Cleveland: 330 659-6800 Fax 330 657-2940



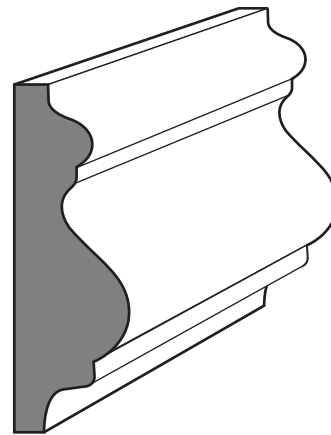
Panel Moulding Profiles
www.TerryLumberSupply.com



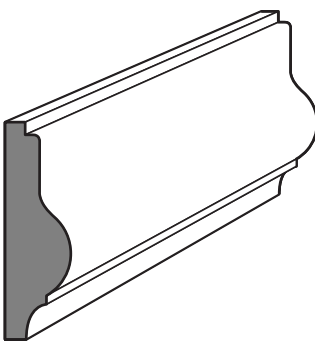
1 5/8" Flat Panel



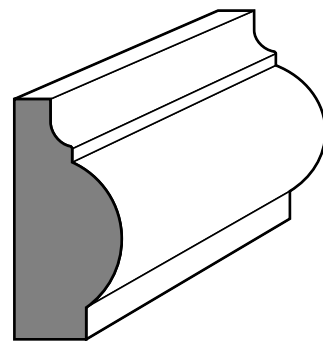
1 1/4" Flat Panel



1 3/4" Flat Panel



1 1/8" Flat Panel



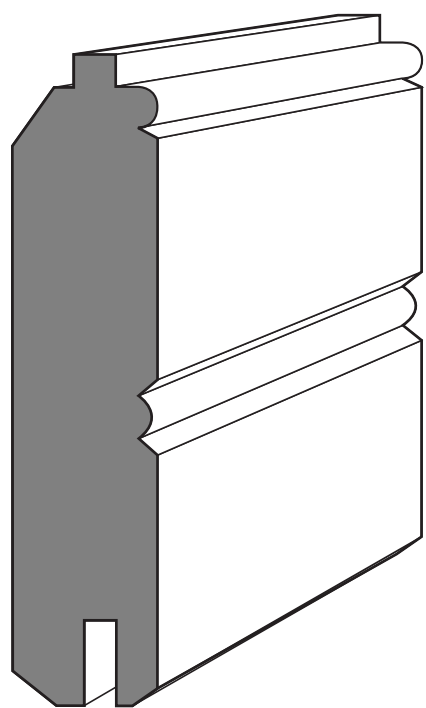
1 1/4" Baron Flat Panel

TLS - 03.07

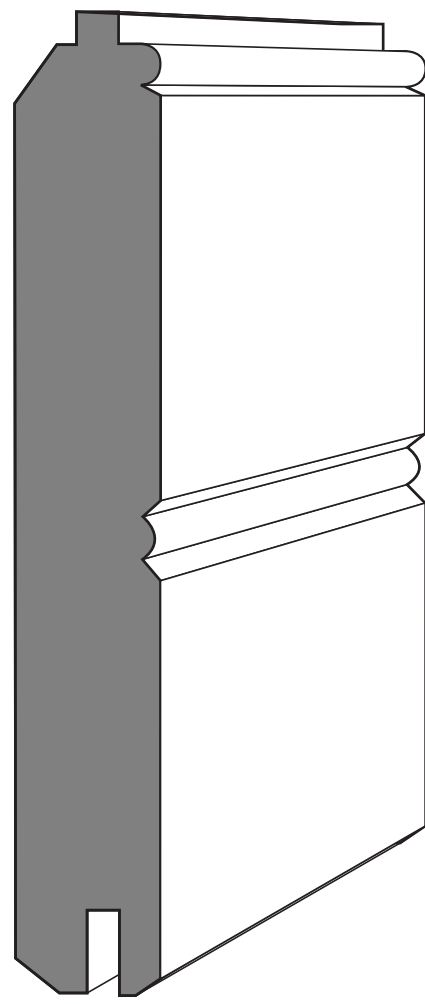
Terry Lumber & Supply Company Inc.
Lumber, Builder's Supplies, Coal, Hardware, Mill Work
1710 West Mill Street | PO Box 216 | Peninsula, Ohio 44264
Akron: 330 657-2811 Cleveland: 330 659-6800 Fax 330 657-2940



Panel Moulding Profiles
www.TerryLumberSupply.com



Cedar 1 x 4" Philly Double Bead



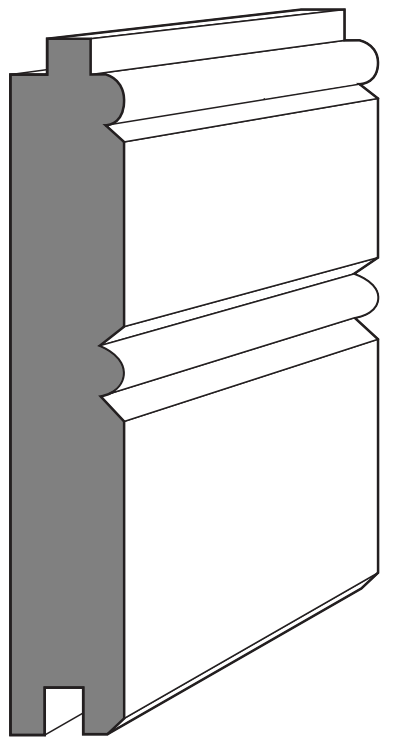
Cedar 1 x 6" Philly Double Bead

TLS - 03.07

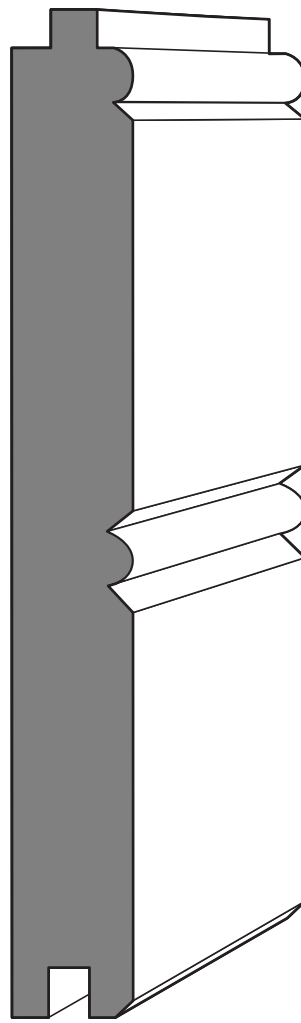
Terry Lumber & Supply Company Inc.
Lumber, Builder's Supplies, Coal, Hardware, Mill Work
1710 West Mill Street | PO Box 216 | Peninsula, Ohio 44264
Akron: 330 657-2811 Cleveland: 330 659-6800 Fax 330 657-2940



Tongue and Groove Profiles
www.TerryLumberSupply.com



Pine 1 x 4" Philly Double Bead



Pine 1 x 6" Philly Double Bead

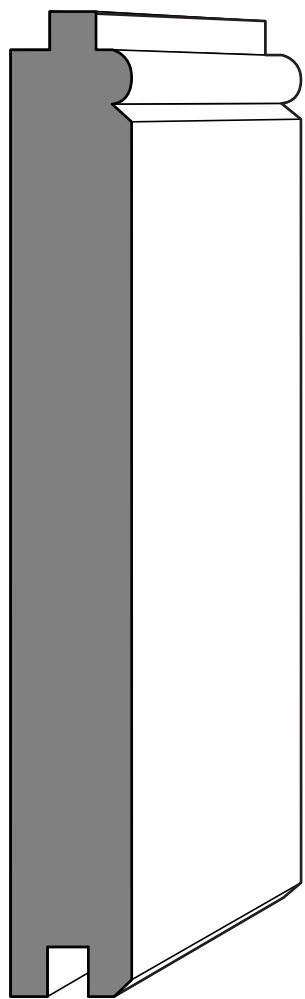
TLS - 03.07

Terry Lumber & Supply Company Inc.
Lumber, Builder's Supplies, Coal, Hardware, Mill Work

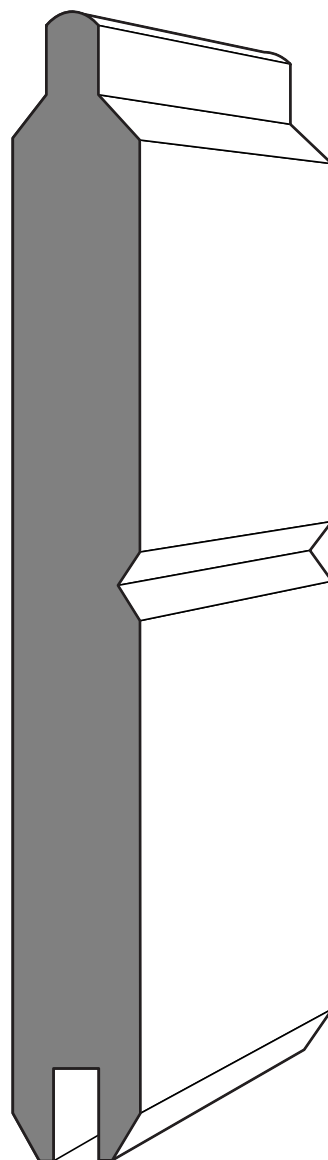
1710 West Mill Street | PO Box 216 | Peninsula, Ohio 44264
Akron: 330 657-2811 Cleveland: 330 659-6800 Fax 330 657-2940



Tongue and Groove Profiles
www.TerryLumberSupply.com



Pine 1 x 6" Single Bead



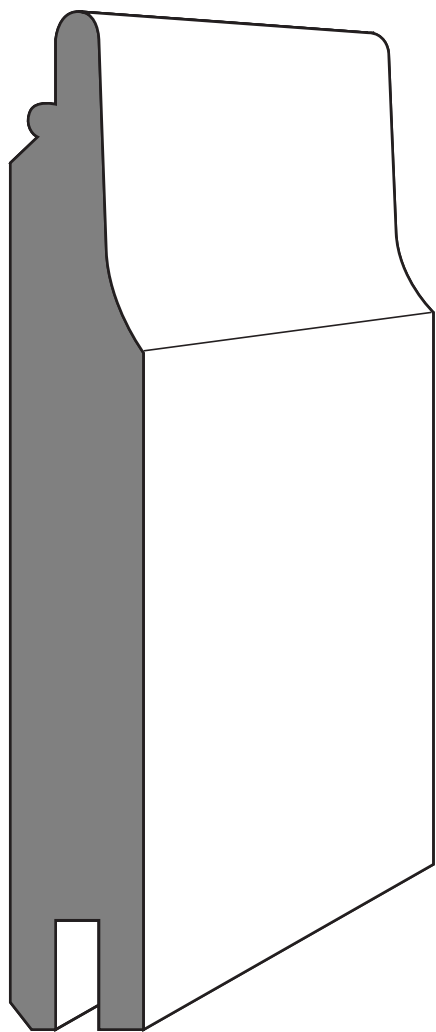
Pine 1 x 6" Pattern #116/WP4

TLS - 03.07

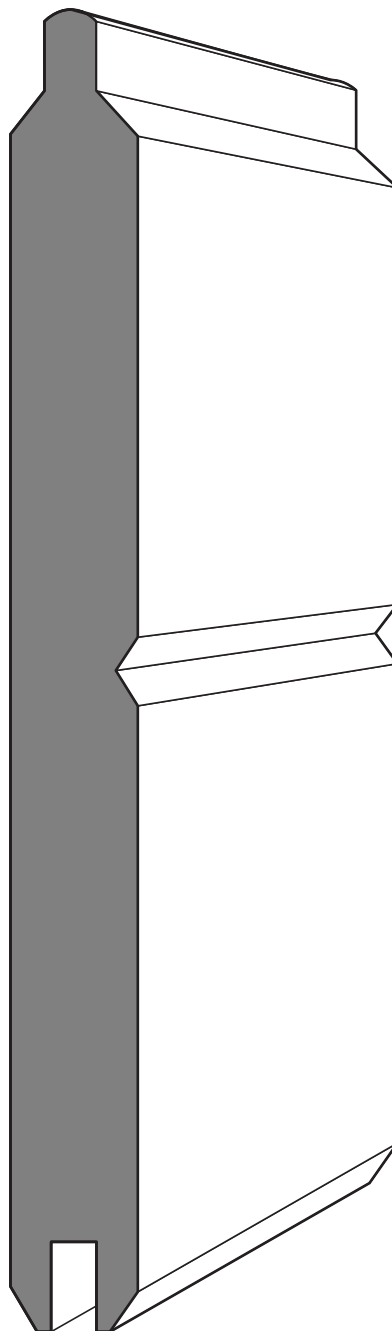
Terry Lumber & Supply Company Inc.
Lumber, Builder's Supplies, Coal, Hardware, Mill Work
1710 West Mill Street | PO Box 216 | Peninsula, Ohio 44264
Akron: 330 657-2811 Cleveland: 330 659-6800 Fax 330 657-2940



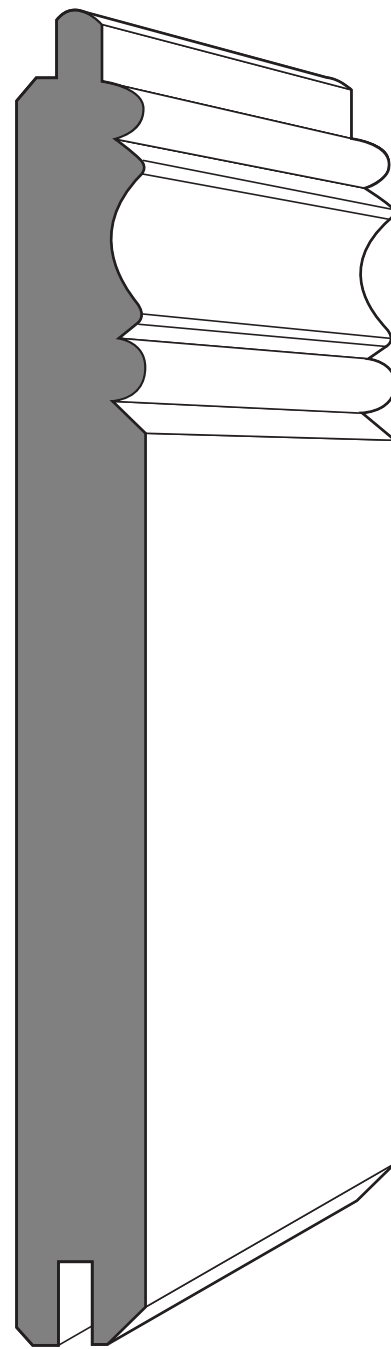
Tongue and Groove Profiles
www.TerryLumberSupply.com



Pine Pattern # 106 1 x 6"



Pine 1 x 8" #116



Pine 1 x 8" Picwic

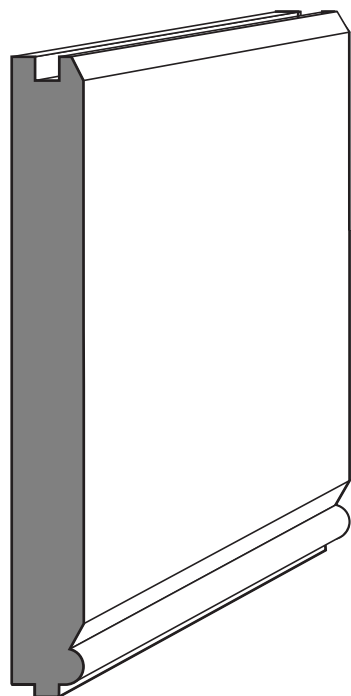
TLS - 03.07

Terry Lumber & Supply Company Inc.
Lumber, Builder's Supplies, Coal, Hardware, Mill Work

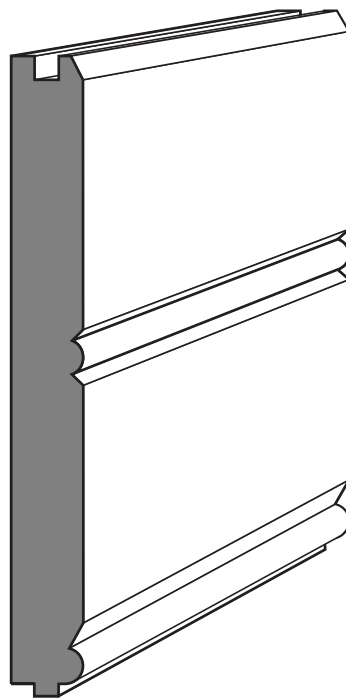
1710 West Mill Street | PO Box 216 | Peninsula, Ohio 44264
Akron: 330 657-2811 Cleveland: 330 659-6800 Fax 330 657-2940



Tongue and Groove Profiles
www.TerryLumberSupply.com



3/8 x 3 1/4" Single Bead



3/8 x 3 1/4" Double Bead

Note: Available in poplar and oak.
Check availability for maple, cherry or other hardwoods.

TLS - 03.07

Terry Lumber & Supply Company Inc.
Lumber, Builder's Supplies, Coal, Hardware, Mill Work

1710 West Mill Street | PO Box 216 | Peninsula, Ohio 44264
Akron: 330 657-2811 Cleveland: 330 659-6800 Fax 330 657-2940



Tongue and Groove Profiles
www.TerryLumberSupply.com