

### The Moulding Glossary

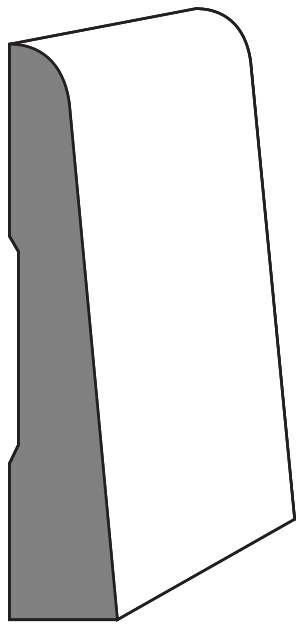
This catalog contains illustrations of the moulding profiles available from Terry Lumber. Each illustration is scaled at 100% with the face shown in a prospective view. The cross-sections at the left provide typical uses of the profile that are found in the catalog sections that follow and are grouped by profile type as identified on the right of the page.

The profiles presented in this catalog are available in a variety of hardwoods. To check on availability, to have a custom profile made, or for any other information not listed in our catalog please contact our sales staff.

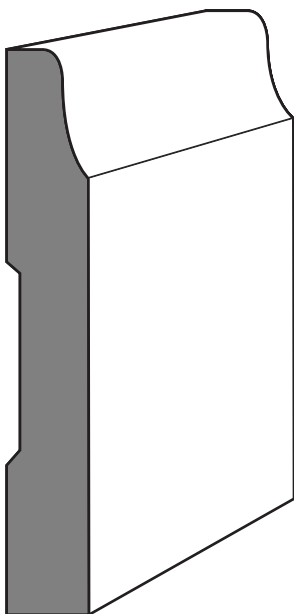


Content Page

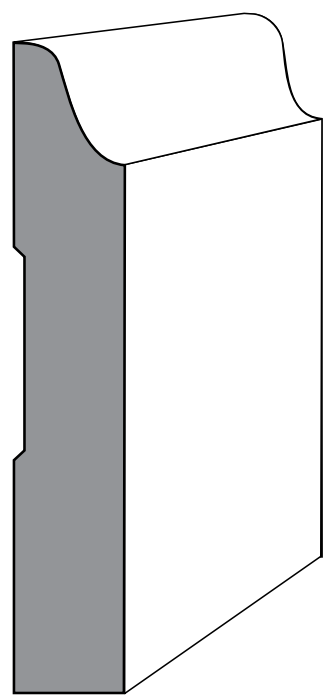
[www.TerryLumberSupply.com](http://www.TerryLumberSupply.com)



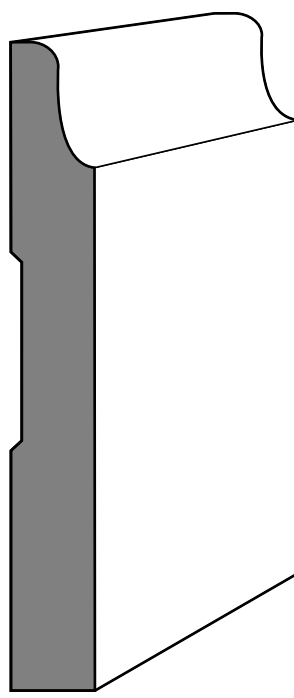
3" Modern



3" OG Base



5/8 x 3 1/2" OG Base



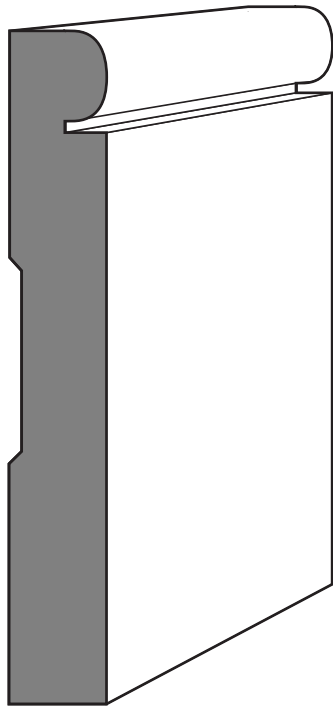
3 1/2" OG

TLS - 02.15

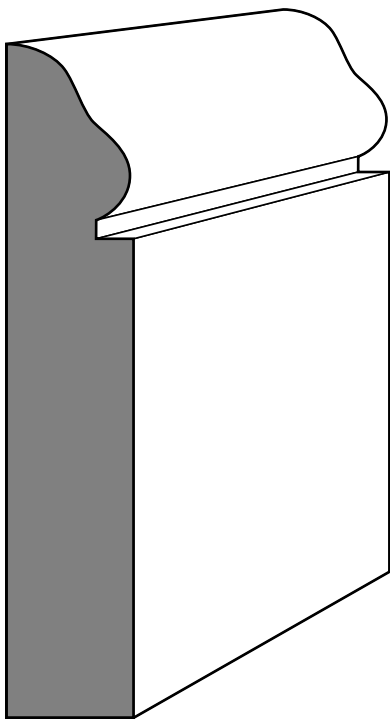
Terry Lumber & Supply Company Inc.  
Lumber, Builder's Supplies, Coal, Hardware, Mill Work  
1710 West Mill Street | PO Box 216 | Peninsula, Ohio 44264  
Akron: 330 657-2811 Cleveland: 330 659-6800 Fax 330 657-2940



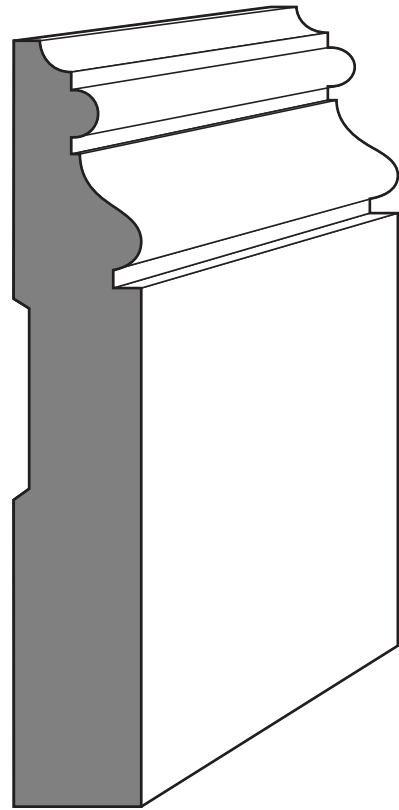
Base Moulding Profiles  
www.TerryLumberSupply.com



3 1/2" 752



3 1/2" Perry Base



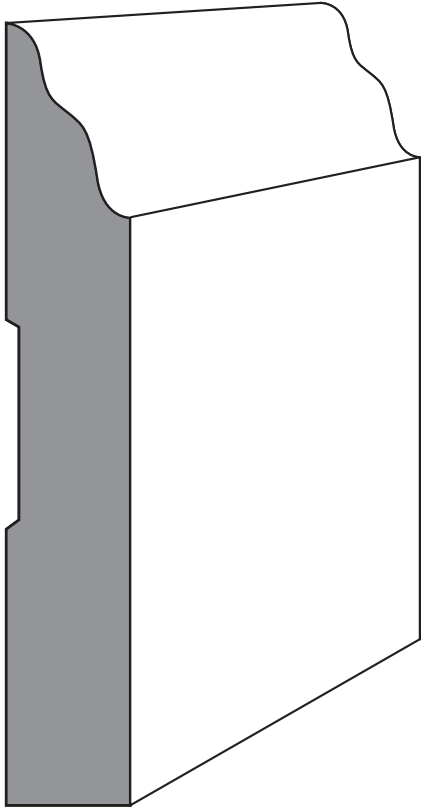
4" K Base

TLS - 02.04

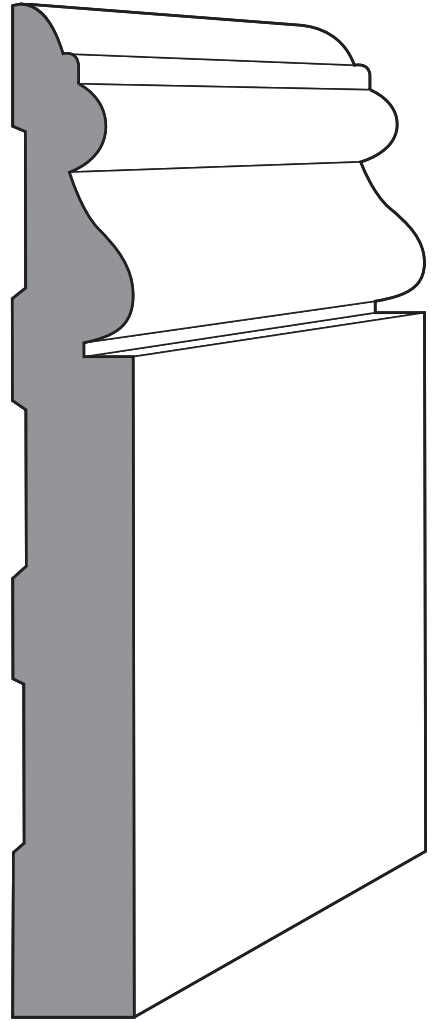
Terry Lumber & Supply Company Inc.  
*Lumber, Builder's Supplies, Coal, Hardware, Mill Work*  
1710 West Mill Street | PO Box 216 | Peninsula, Ohio 44264  
Akron: 330 657-2811 Cleveland: 330 659-6800 Fax 330 657-2940



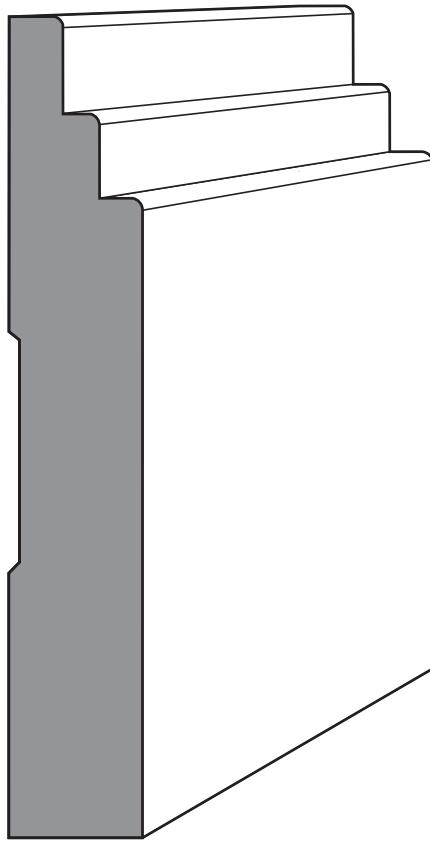
**Base Moulding Profiles**  
[www.TerryLumberSupply.com](http://www.TerryLumberSupply.com)



4" Red



5 1/4" Lower



4 1/4" Step

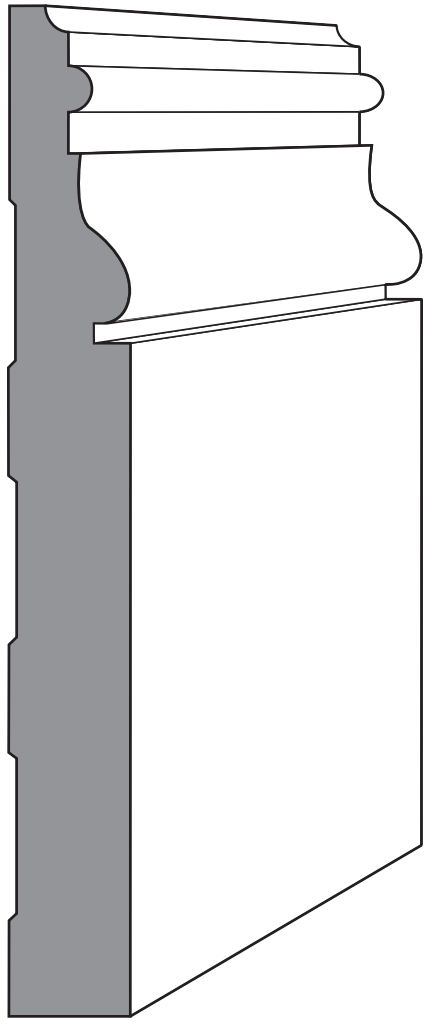
TLS - 02.04

Terry Lumber & Supply Company Inc.  
Lumber, Builder's Supplies, Coal, Hardware, Mill Work

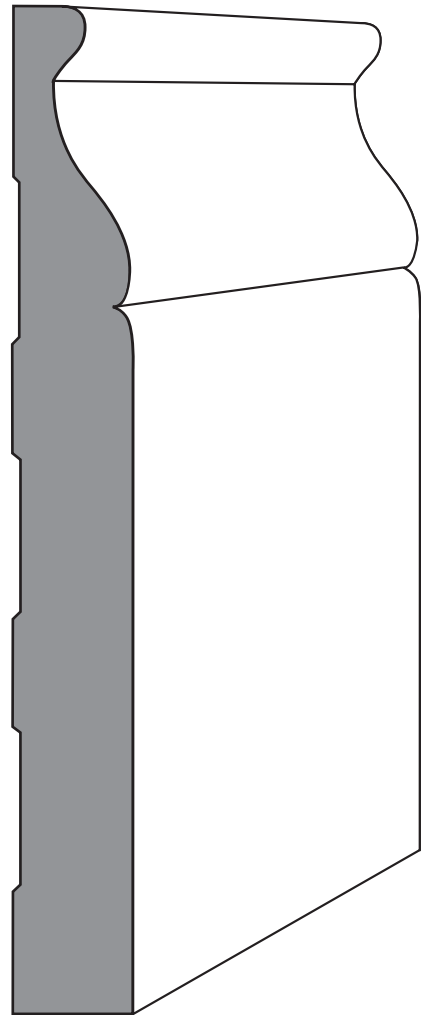
1710 West Mill Street | PO Box 216 | Peninsula, Ohio 44264  
Akron: 330 657-2811 Cleveland: 330 659-6800 Fax 330 657-2940



Base Moulding Profiles  
www.TerryLumberSupply.com



5 1/4" K



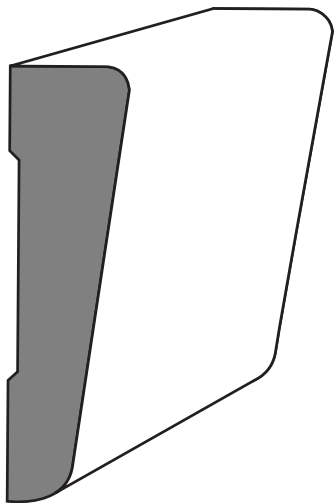
5/8 x 5 1/4" Speed Base

TLS - 02.15

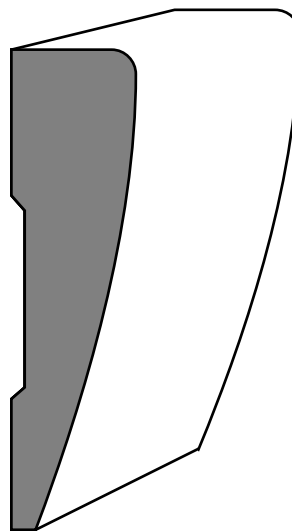
Terry Lumber & Supply Company Inc.  
*Lumber, Builder's Supplies, Coal, Hardware, Mill Work*  
1710 West Mill Street | PO Box 216 | Peninsula, Ohio 44264  
Akron: 330 657-2811 Cleveland: 330 659-6800 Fax 330 657-2940



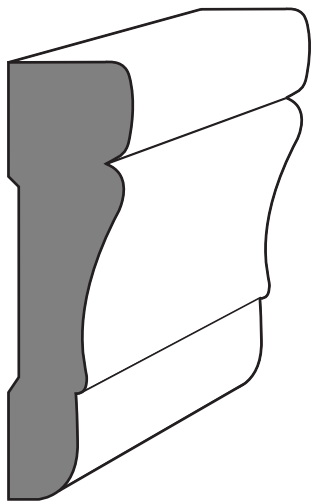
**Base Moulding Profiles**  
[www.TerryLumberSupply.com](http://www.TerryLumberSupply.com)



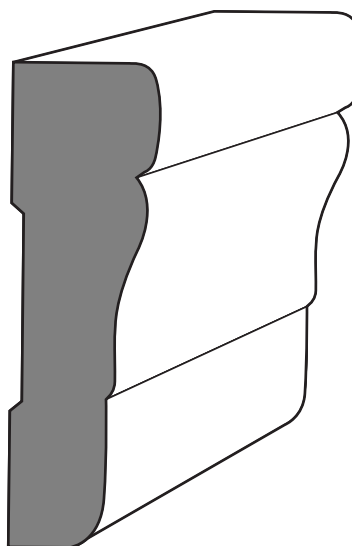
2 1/4" Modern



2 1/2" Modern



2 1/4" OG



2 1/2" OG

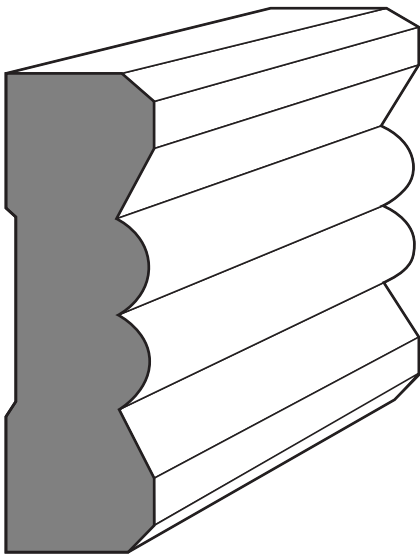
TLS - 03.07

Terry Lumber & Supply Company Inc.  
*Lumber, Builder's Supplies, Coal, Hardware, Mill Work*

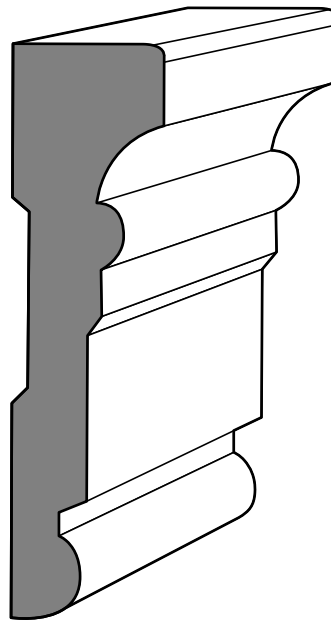
1710 West Mill Street | PO Box 216 | Peninsula, Ohio 44264  
Akron: 330 657-2811 Cleveland: 330 659-6800 Fax 330 657-2940



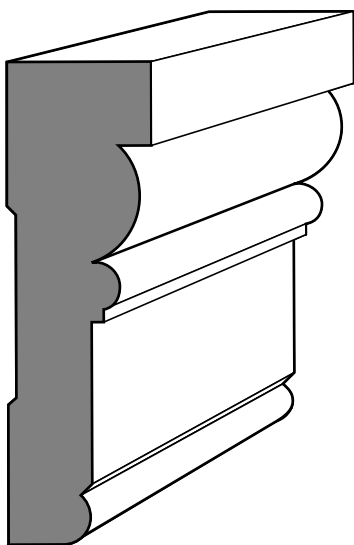
**Casing Moulding Profiles**  
[www.TerryLumberSupply.com](http://www.TerryLumberSupply.com)



2 1/2" Double Bead



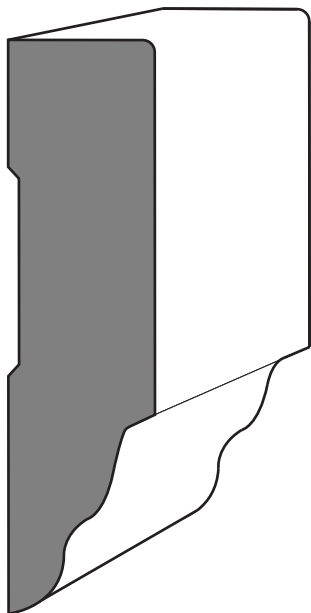
3" JB-100



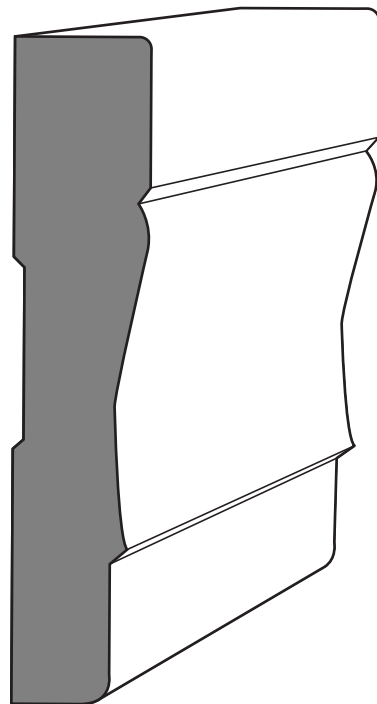
2 1/2" Razny

TLS - 03.07

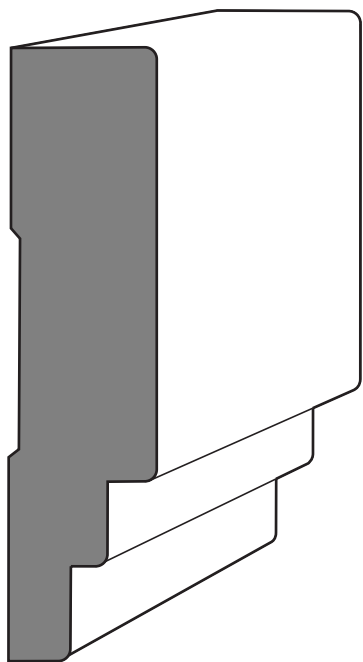




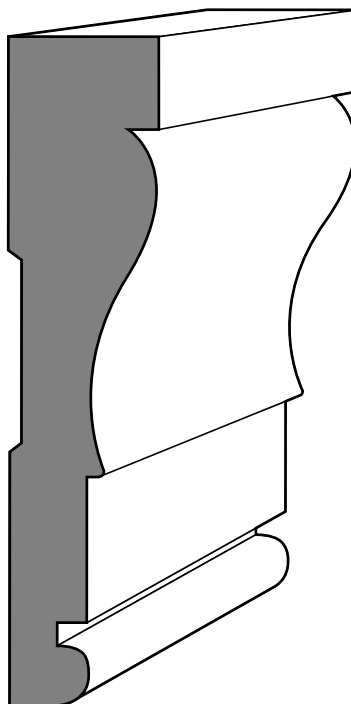
3" Red



3 1/2" OG



3 1/4" Step



3 1/2" DC-99

TLS - 12.01

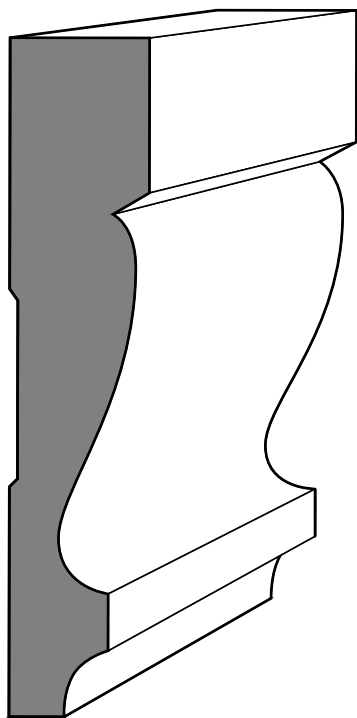
Terry Lumber & Supply Company Inc.  
Lumber, Builder's Supplies, Coal, Hardware, Mill Work

1710 West Mill Street | PO Box 216 | Peninsula, Ohio 44264  
Akron: 330 657-2811 Cleveland: 330 659-6800 Fax 330 657-2940

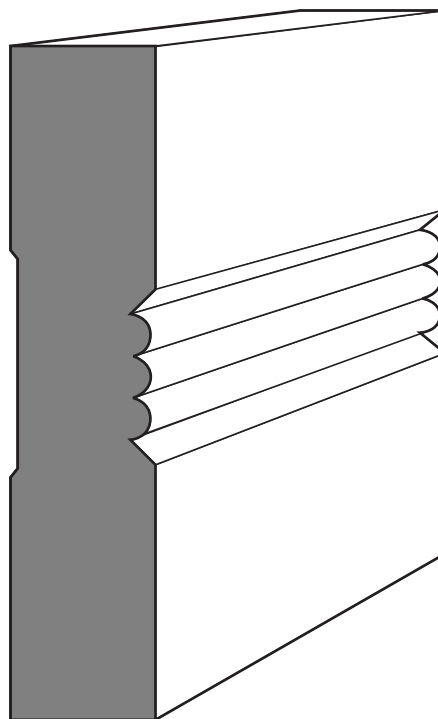


Casing Moulding Profiles  
www.TerryLumberSupply.com

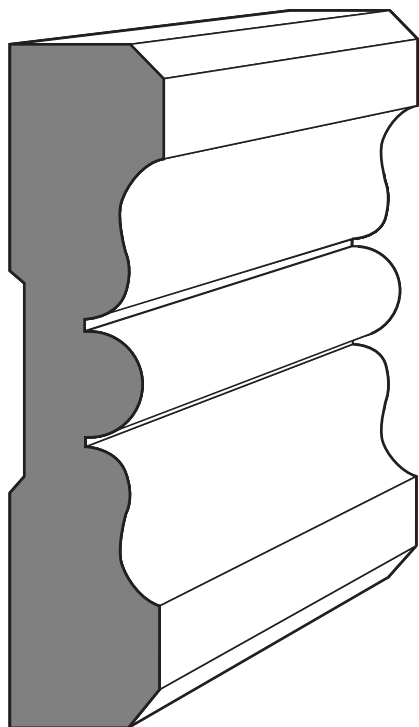




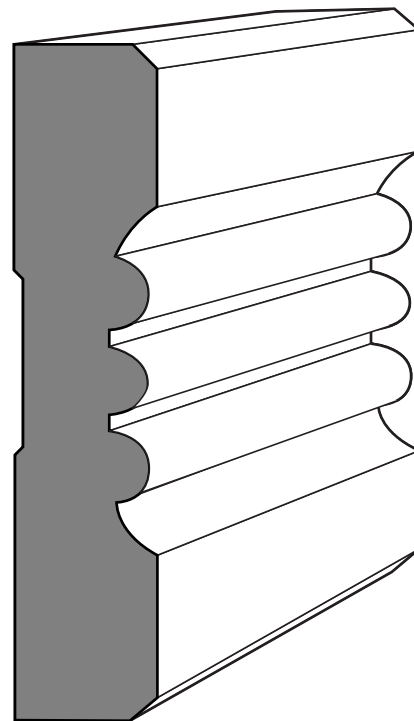
3 1/2" Jadud



3 1/2" Mazco



3 1/2" Single Bead



3 1/2" Bartlo

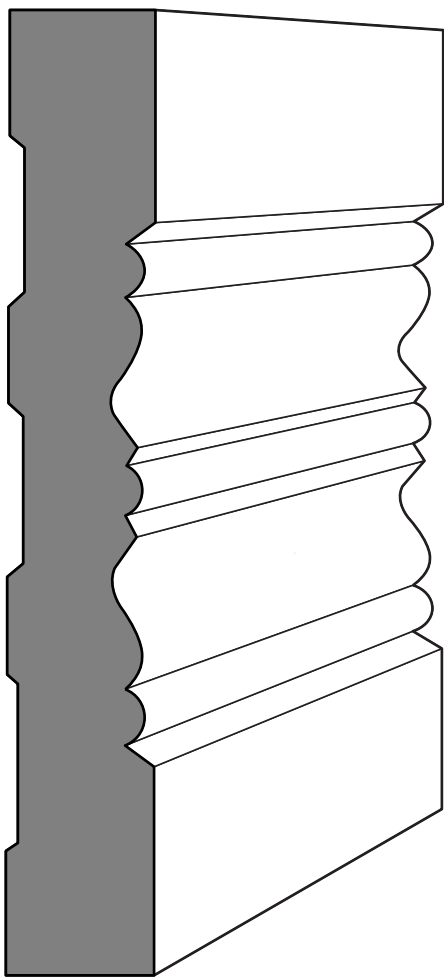
TLS - 12.01

Terry Lumber & Supply Company Inc.  
Lumber, Builder's Supplies, Coal, Hardware, Mill Work

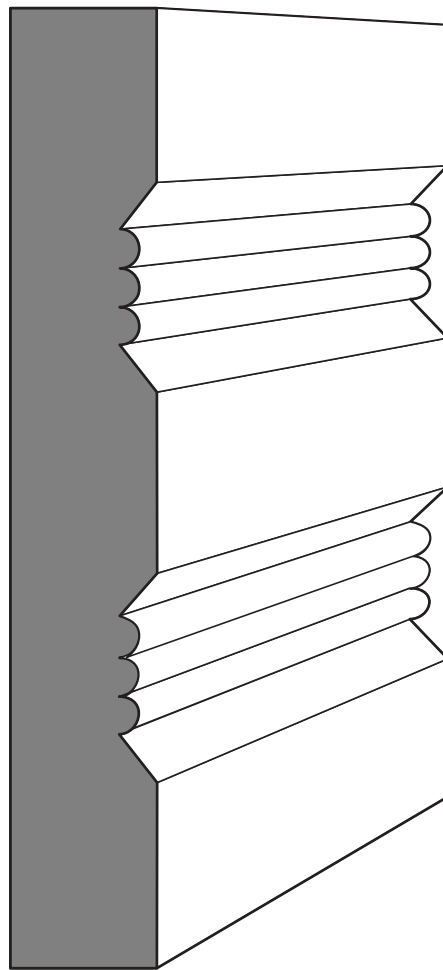
1710 West Mill Street | PO Box 216 | Peninsula, Ohio 44264  
Akron: 330 657-2811 Cleveland: 330 659-6800 Fax 330 657-2940



Casing Moulding Profiles  
www.TerryLumberSupply.com



5" Scalloped Casing



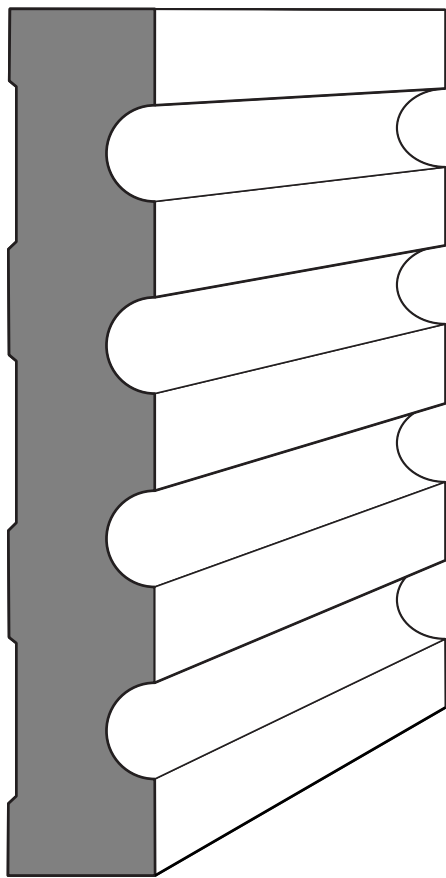
5" Park

TLS - 03.07

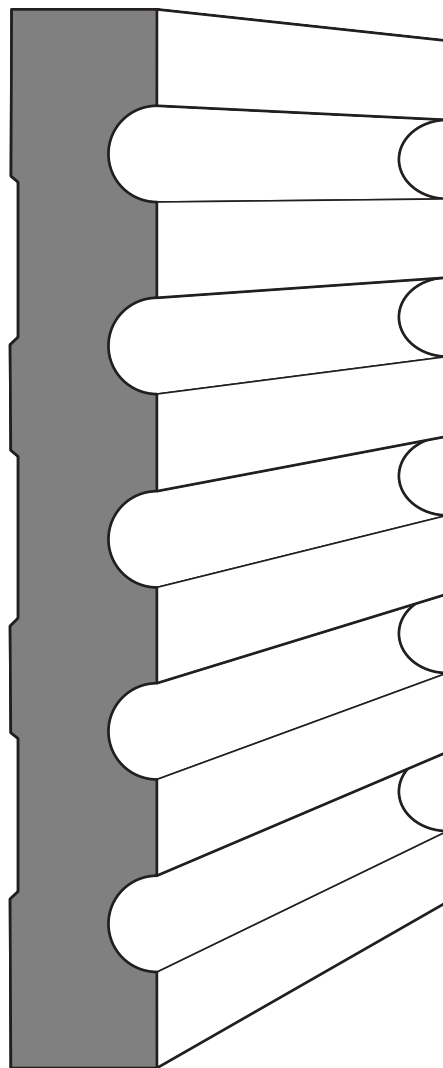
Terry Lumber & Supply Company Inc.  
*Lumber, Builder's Supplies, Coal, Hardware, Mill Work*  
1710 West Mill Street | PO Box 216 | Peninsula, Ohio 44264  
Akron: 330 657-2811 Cleveland: 330 659-6800 Fax 330 657-2940



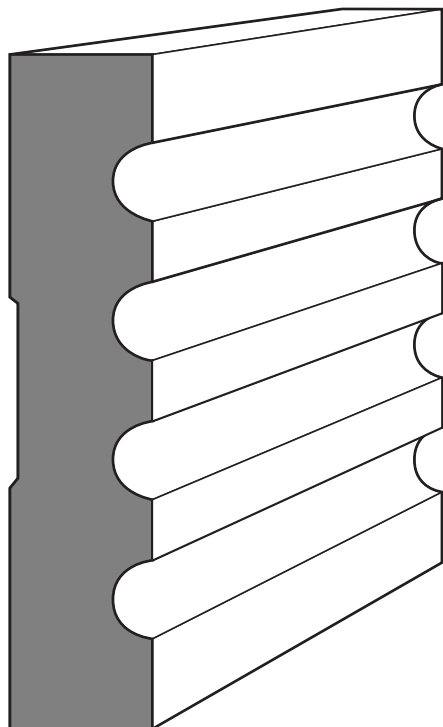
**Casing Moulding Profiles**  
[www.TerryLumberSupply.com](http://www.TerryLumberSupply.com)



4 1/2" Fluted



5 1/2" Fluted



3 1/2" Fluted

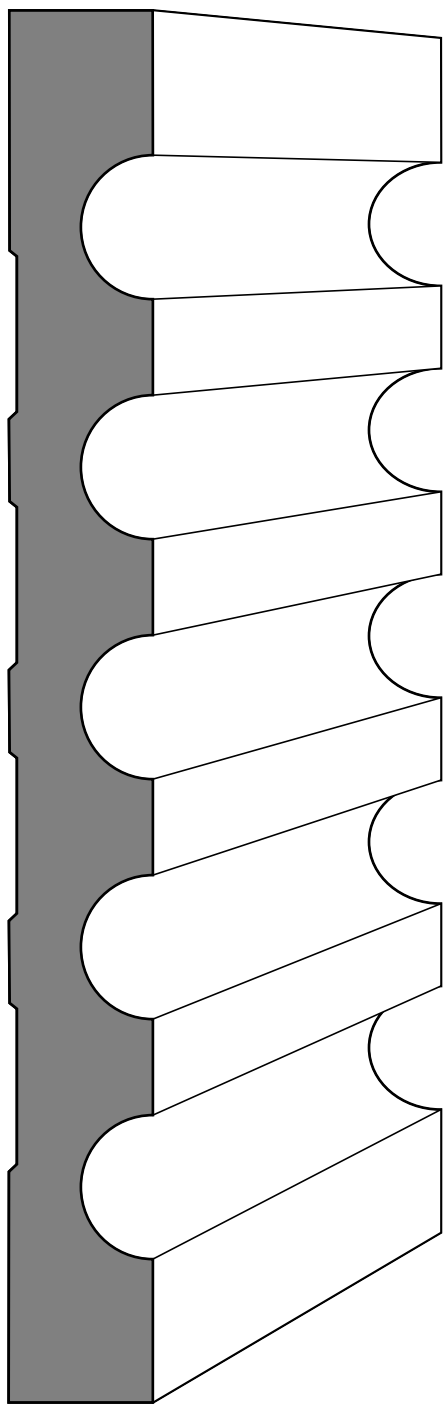
TLS - 03.07

Terry Lumber & Supply Company Inc.  
Lumber, Builder's Supplies, Coal, Hardware, Mill Work

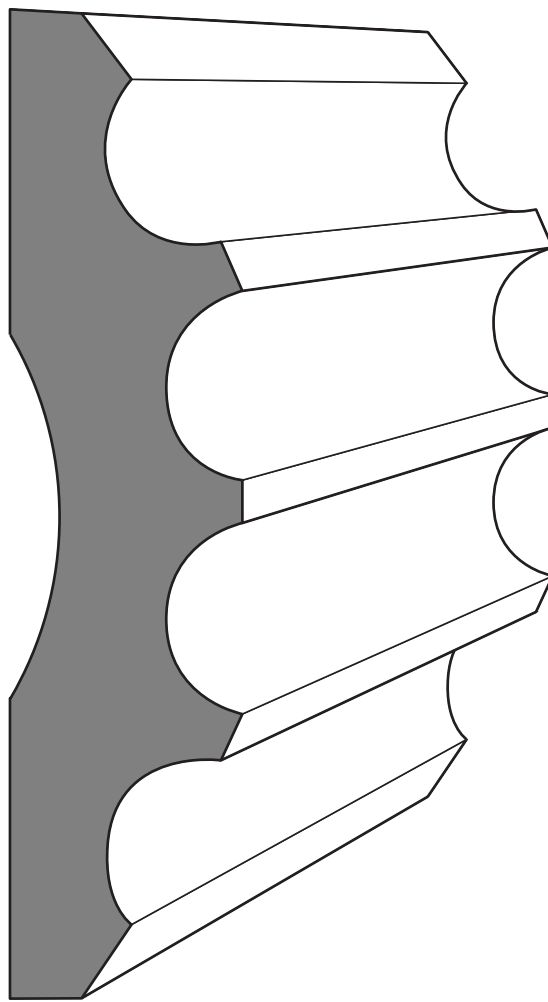
1710 West Mill Street | PO Box 216 | Peninsula, Ohio 44264  
Akron: 330 657-2811 Cleveland: 330 659-6800 Fax 330 657-2940



Casing Moulding Profiles  
www.TerryLumberSupply.com



7 1/4" Fluted



1 1/4 x 5" Fickle

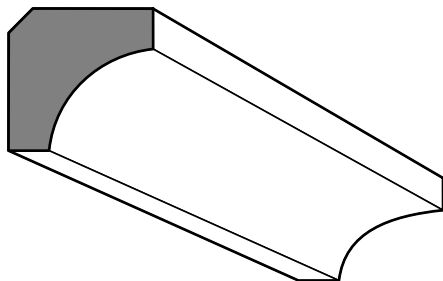
TLS - 03.07

Terry Lumber & Supply Company Inc.  
Lumber, Builder's Supplies, Coal, Hardware, Mill Work

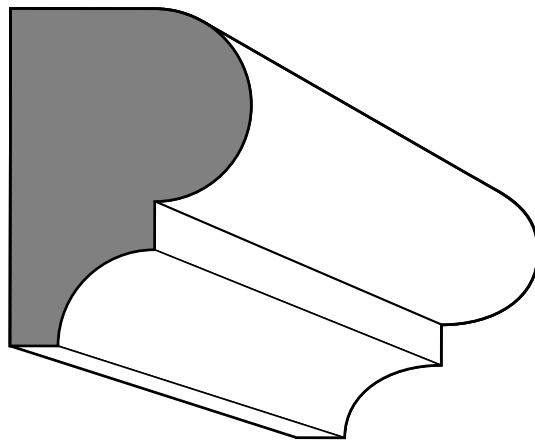
1710 West Mill Street | PO Box 216 | Peninsula, Ohio 44264  
Akron: 330 657-2811 Cleveland: 330 659-6800 Fax 330 657-2940



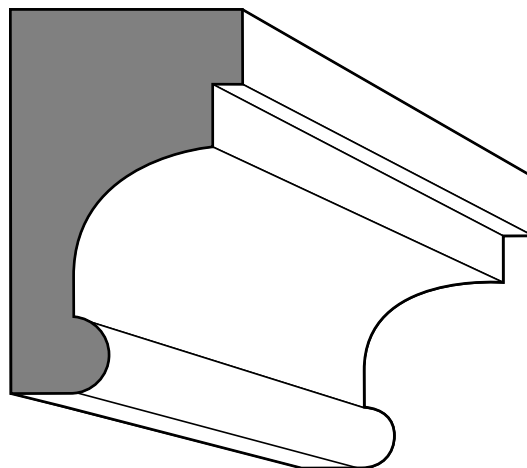
Casing Moulding Profiles  
www.TerryLumberSupply.com



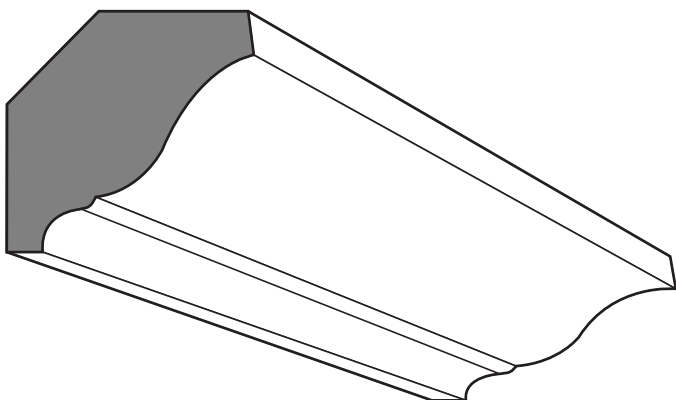
3/4" x 3/4" Cove



1 1/4" x 1 3/4" Geauga



1 1/4" x 2" Krusty



1 3/4" Crown

TLS - 12.01

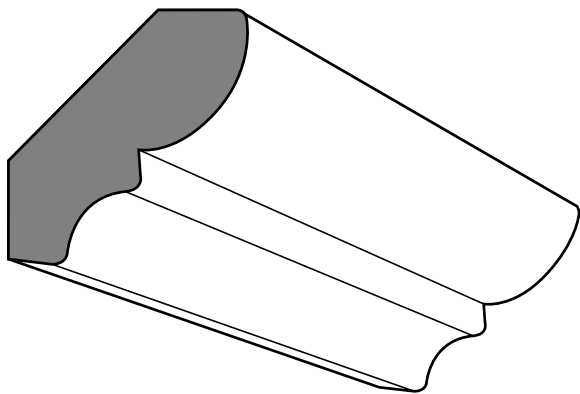
Terry Lumber & Supply Company Inc.  
Lumber, Builder's Supplies, Coal, Hardware, Mill Work

1710 West Mill Street | PO Box 216 | Peninsula, Ohio 44264  
Akron: 330 657-2811 Cleveland: 330 659-6800 Fax 330 657-2940

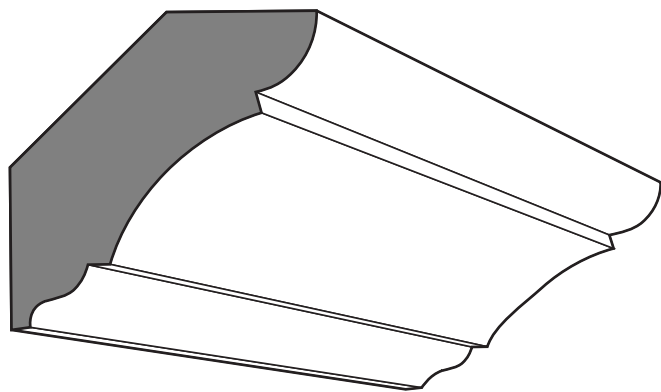


Crown Moulding Profiles

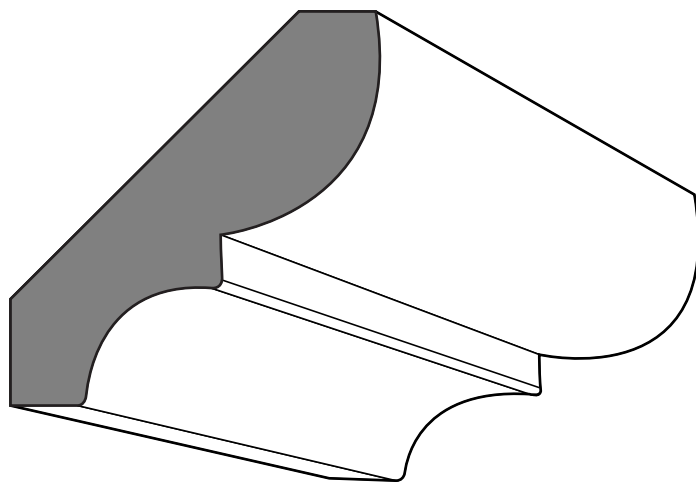
www.TerryLumberSupply.com



1 3/4" Bed Mould



2 1/4" Crown



2 3/4" Bed Mould

TLS - 12.01

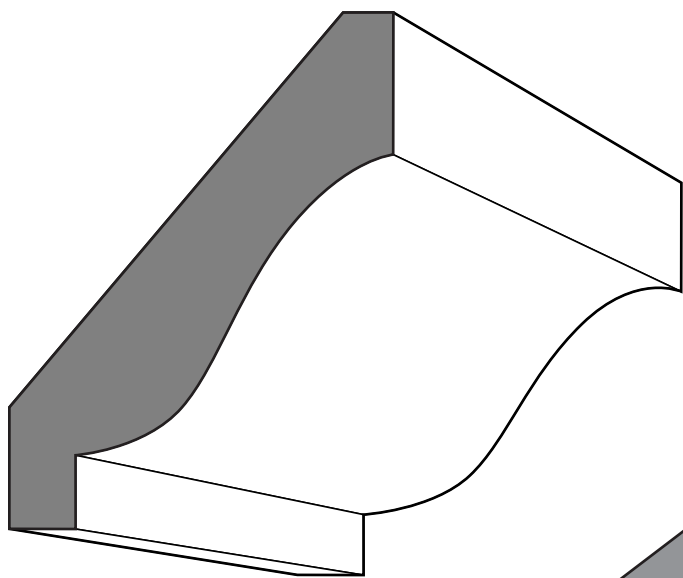
Terry Lumber & Supply Company Inc.  
Lumber, Builder's Supplies, Coal, Hardware, Mill Work

1710 West Mill Street | PO Box 216 | Peninsula, Ohio 44264  
Akron: 330 657-2811 Cleveland: 330 659-6800 Fax 330 657-2940

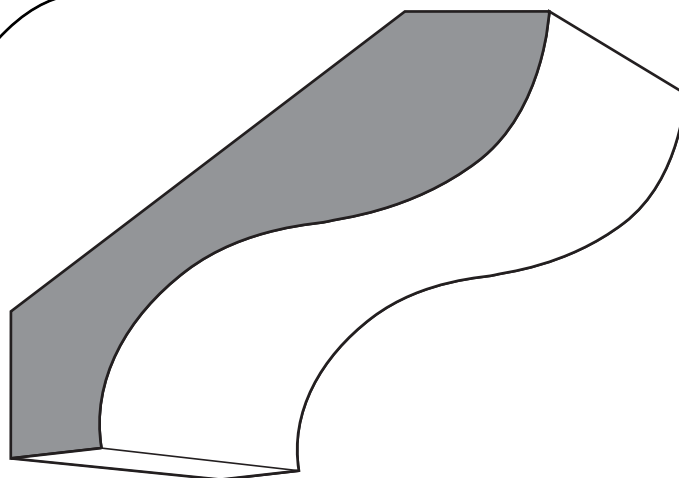


Crown Moulding Profiles

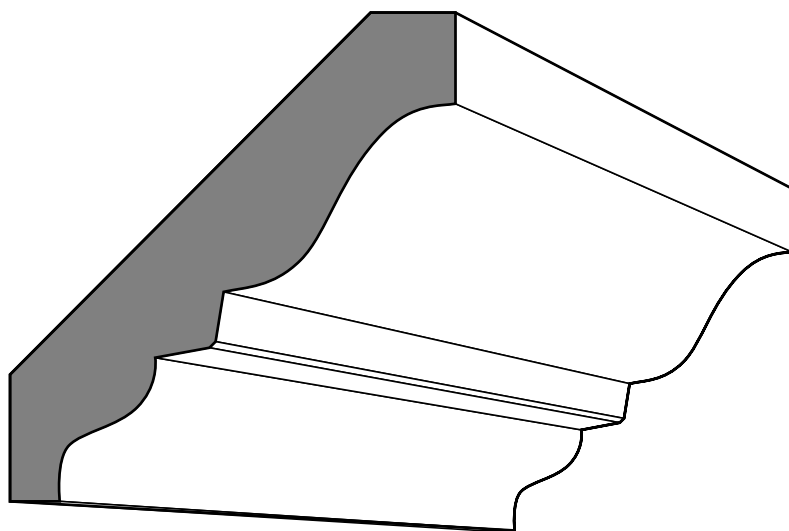
[www.TerryLumberSupply.com](http://www.TerryLumberSupply.com)



3 1/4" Crown



3 1/2" Crown



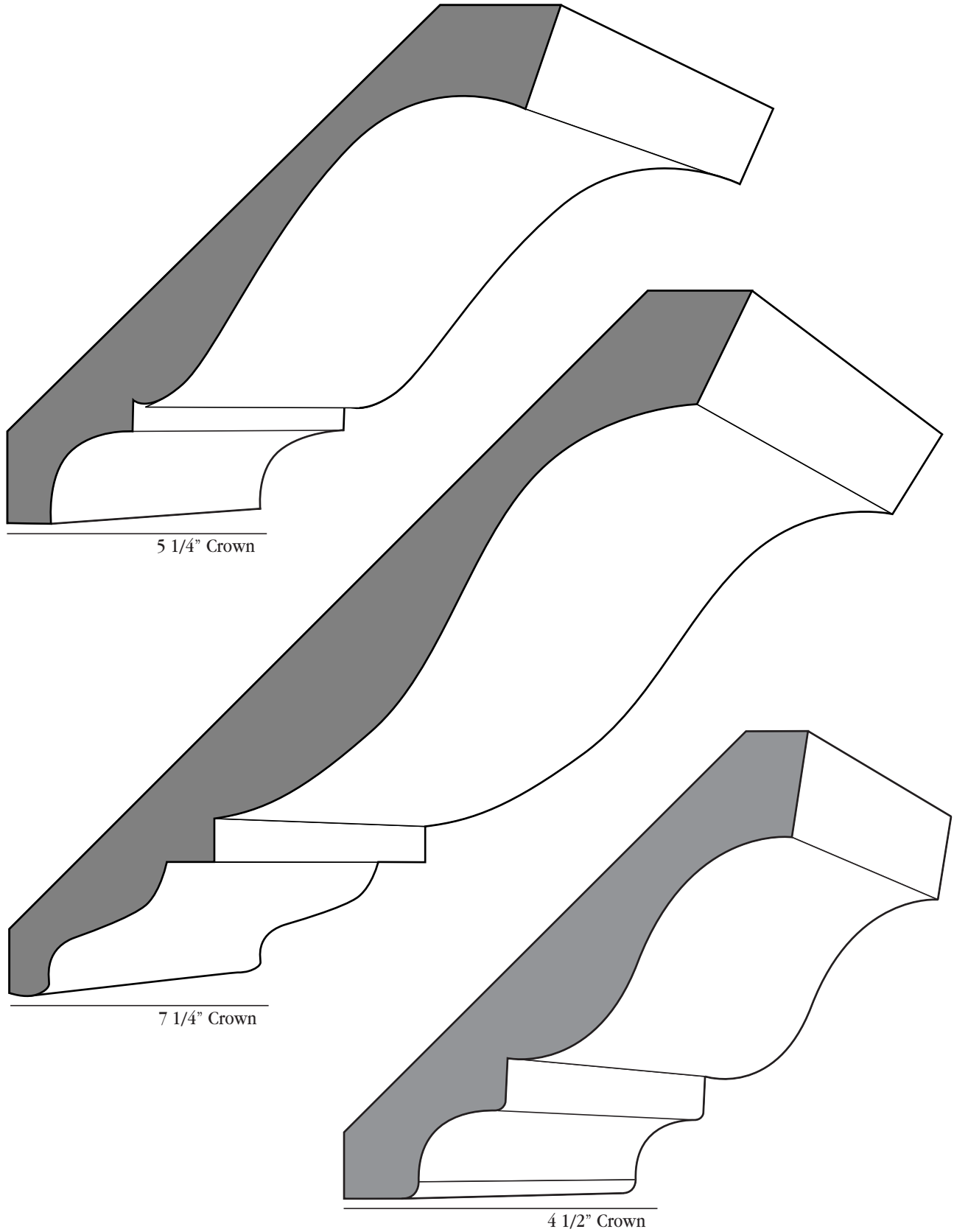
3 3/8" Crown

TLS - 02.04

Terry Lumber & Supply Company Inc.  
Lumber, Builder's Supplies, Coal, Hardware, Mill Work  
1710 West Mill Street | PO Box 216 | Peninsula, Ohio 44264  
Akron: 330 657-2811 Cleveland: 330 659-6800 Fax 330 657-2940



Crown Moulding Profiles  
[www.TerryLumberSupply.com](http://www.TerryLumberSupply.com)



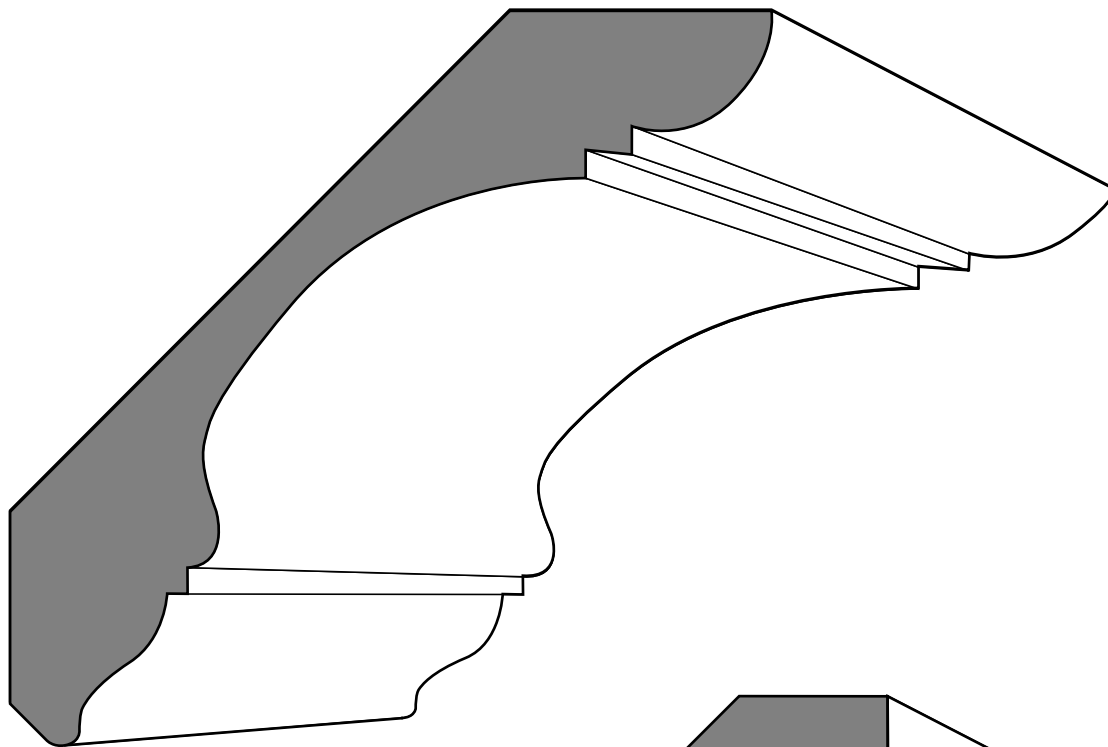
TLS - 02.04

Terry Lumber & Supply Company Inc.  
*Lumber, Builder's Supplies, Coal, Hardware, Mill Work*  
1710 West Mill Street | PO Box 216 | Peninsula, Ohio 44264  
Akron: 330 657-2811 Cleveland: 330 659-6800 Fax 330 657-2940

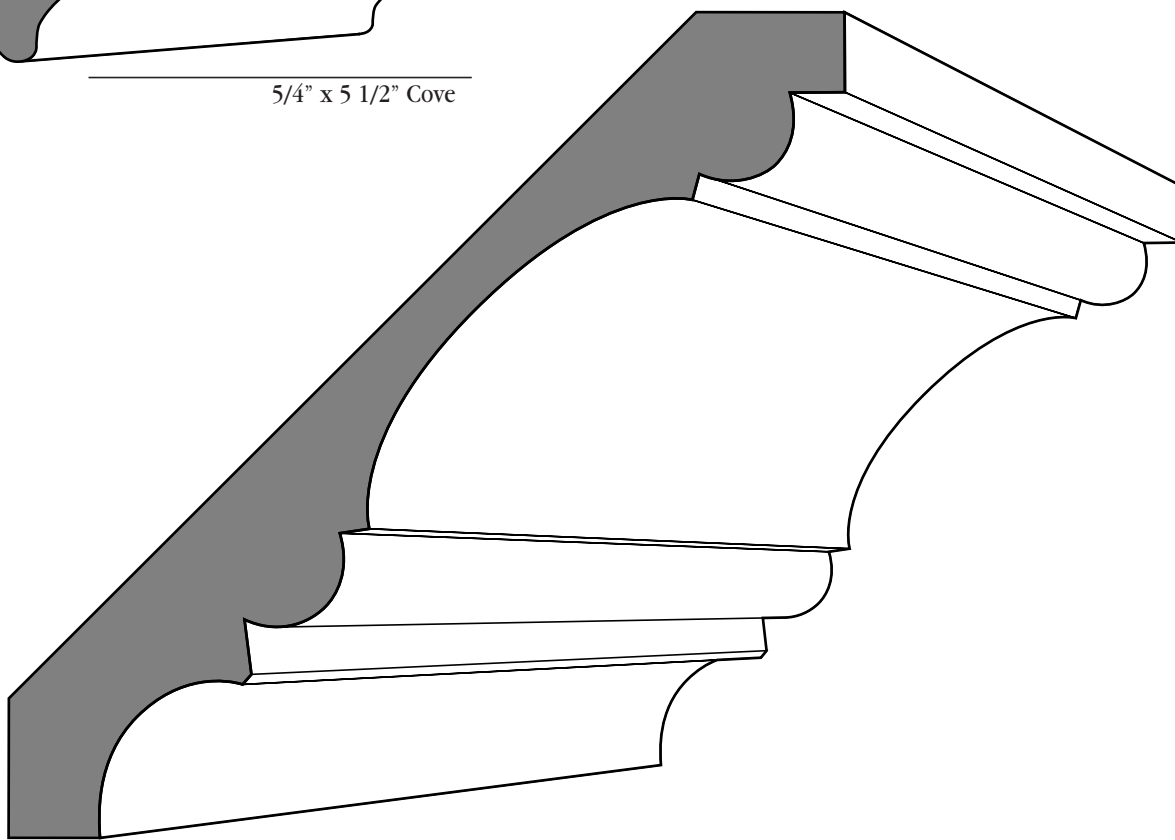


**Crown Moulding Profiles**  
[www.TerryLumberSupply.com](http://www.TerryLumberSupply.com)





5/4" x 5 1/2" Cove



6" Themis Crown

TLS - 02.04

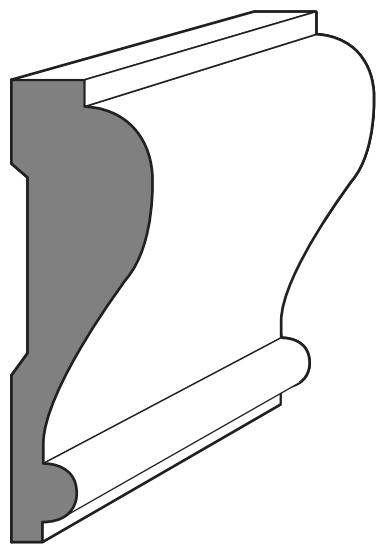
Terry Lumber & Supply Company Inc.  
Lumber, Builder's Supplies, Coal, Hardware, Mill Work

1710 West Mill Street | PO Box 216 | Peninsula, Ohio 44264  
Akron: 330 657-2811 Cleveland: 330 659-6800 Fax 330 657-2940

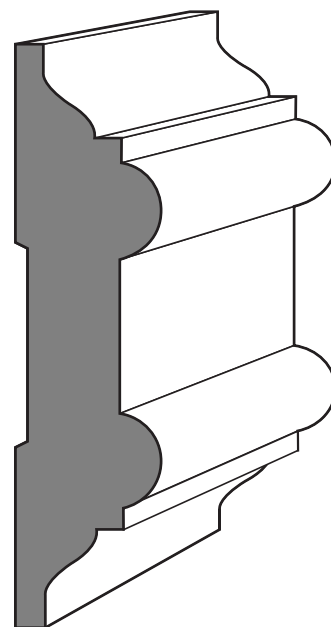


Crown Moulding Profiles

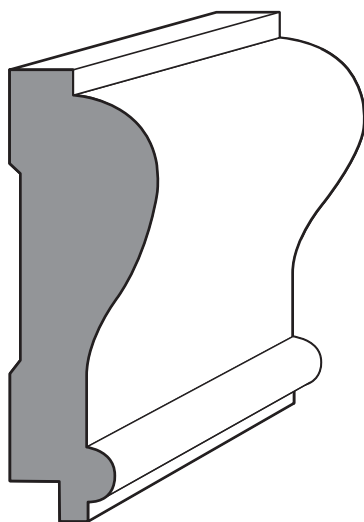
[www.TerryLumberSupply.com](http://www.TerryLumberSupply.com)



2 3/8" Chair Rail



3/4" x 3" RFC Chair Rail



2 3/8" Chair Rail w/Rabbit

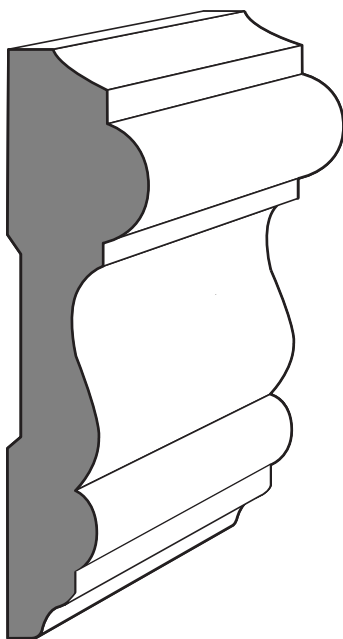
TLS - 12.01

Terry Lumber & Supply Company Inc.  
*Lumber, Builder's Supplies, Coal, Hardware, Mill Work*  
1710 West Mill Street | PO Box 216 | Peninsula, Ohio 44264  
Akron: 330 657-2811 Cleveland: 330 659-6800 Fax 330 657-2940

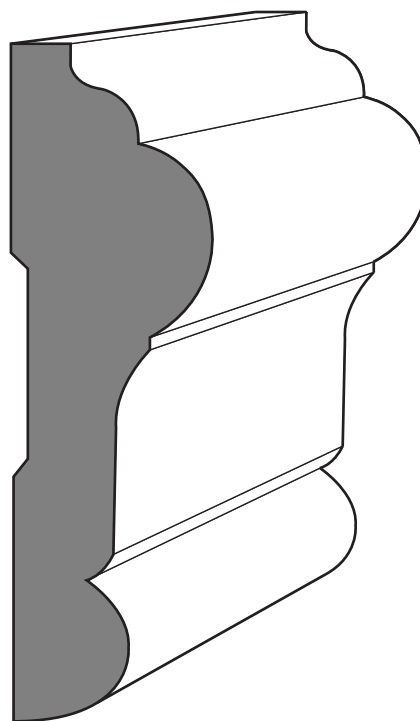


Chair Rail Profiles

[www.TerryLumberSupply.com](http://www.TerryLumberSupply.com)



1 1/16" x 3" Nebraska



5/4" x 3 1/2" Chair Rail

TLS - 12.01

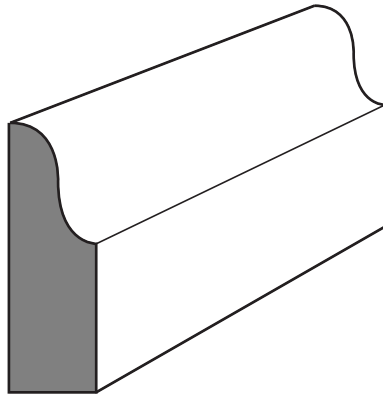
Terry Lumber & Supply Company Inc.  
*Lumber, Builder's Supplies, Coal, Hardware, Mill Work*

1710 West Mill Street | PO Box 216 | Peninsula, Ohio 44264  
Akron: 330 657-2811 Cleveland: 330 659-6800 Fax 330 657-2940

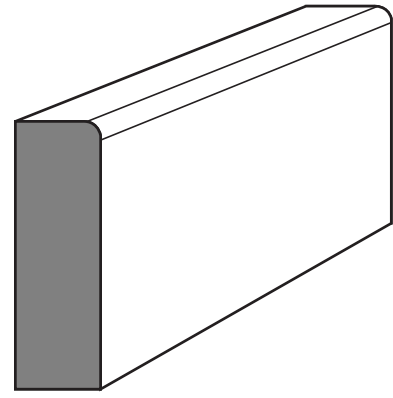


**Chair Rail Profiles**

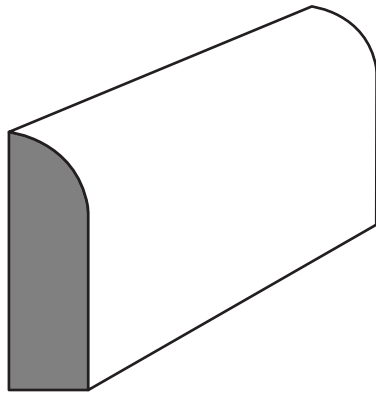
[www.TerryLumberSupply.com](http://www.TerryLumberSupply.com)



7/16" x 1 3/8" OG



7/16" x 1 3/8" WW



7/16" x 1 3/8" Modern

TLS - 12.01

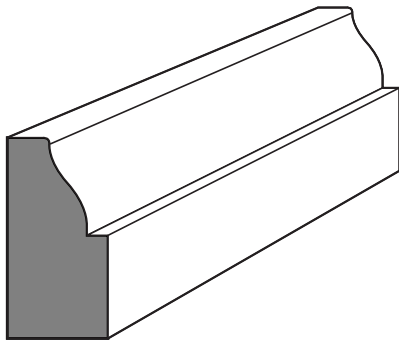
Terry Lumber & Supply Company Inc.  
*Lumber, Builder's Supplies, Coal, Hardware, Mill Work*

1710 West Mill Street | PO Box 216 | Peninsula, Ohio 44264  
Akron: 330 657-2811 Cleveland: 330 659-6800 Fax 330 657-2940

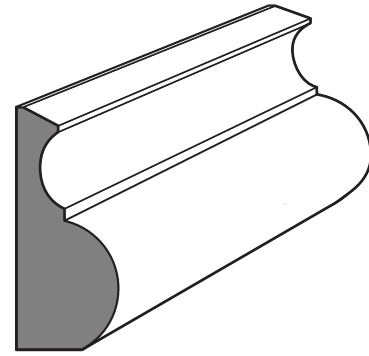


**Stop Moulding Profiles**

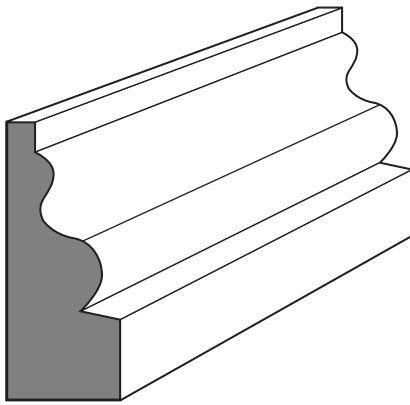
[www.TerryLumberSupply.com](http://www.TerryLumberSupply.com)



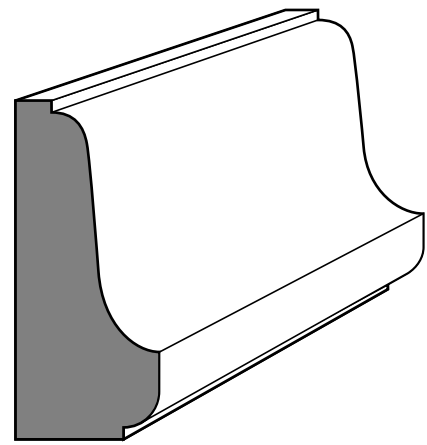
1/2" x 1" Stringer



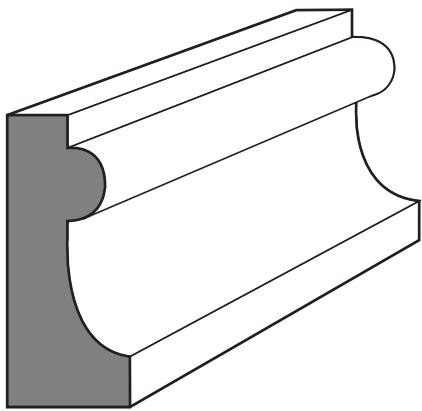
9/16" x 1 1/4" Head Mould



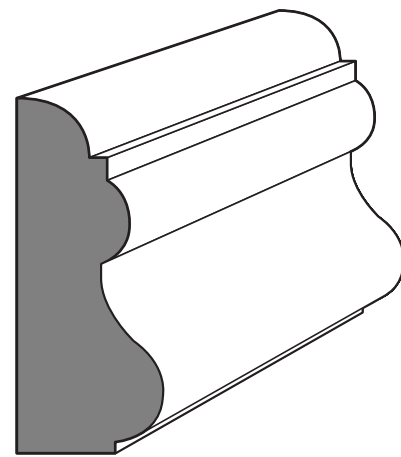
9/16" x 1 7/16" Peninsula



3/4" x 1 3/4" Akron Base Cap



1 1/2" Boggs Base Cap



1 3/4" Lower Base Cap

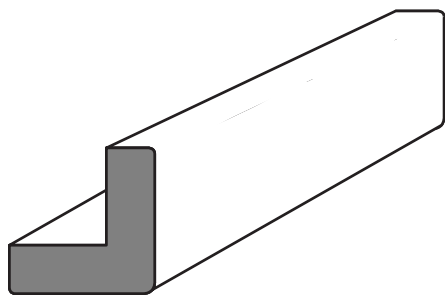
TLS - 03.07

Terry Lumber & Supply Company Inc.  
Lumber, Builder's Supplies, Coal, Hardware, Mill Work

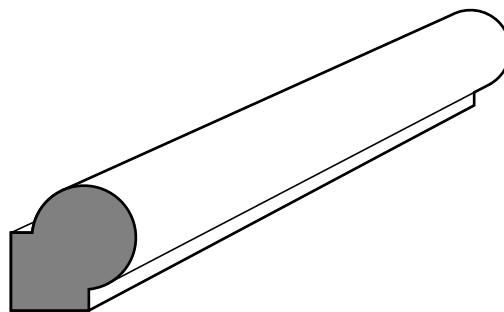
1710 West Mill Street | PO Box 216 | Peninsula, Ohio 44264  
Akron: 330 657-2811 Cleveland: 330 659-6800 Fax 330 657-2940



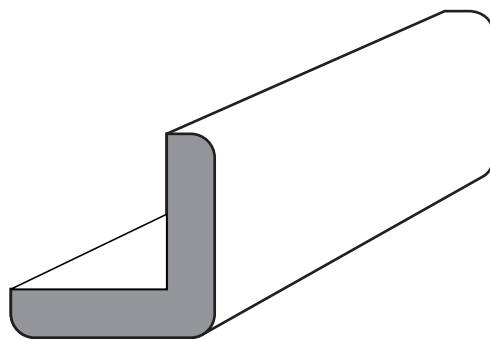
Cap Moulding Profiles  
www.TerryLumberSupply.com



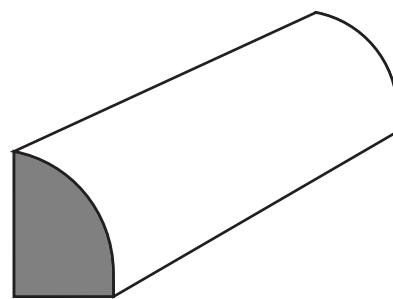
3/4" x 3/4" Outside Corner



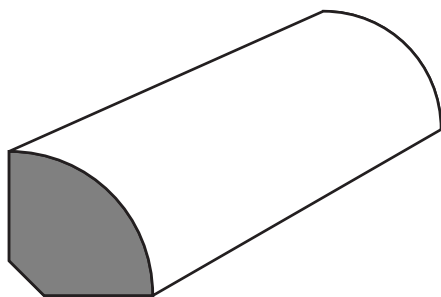
5/8" x 5/8" Pencil Trim



1 1/16" x 1 1/16" Outside Corner



1/2" x 3/4" Shoe



3/4" Quarter Round

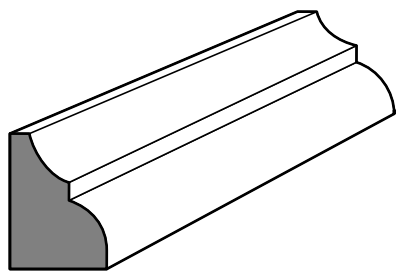
TLS - 03.07

Terry Lumber & Supply Company Inc.  
Lumber, Builder's Supplies, Coal, Hardware, Mill Work

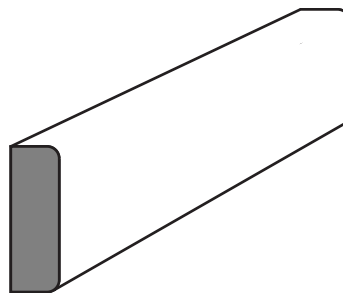
1710 West Mill Street | PO Box 216 | Peninsula, Ohio 44264  
Akron: 330 657-2811 Cleveland: 330 659-6800 Fax 330 657-2940



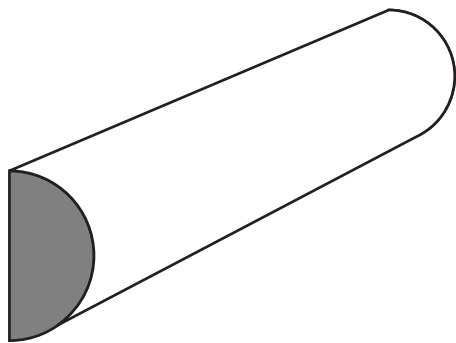
Trim Moulding Profiles  
www.TerryLumberSupply.com



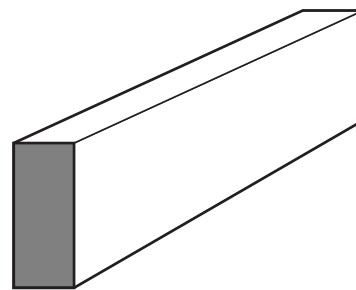
1/2" x 11/16" Glass Bead



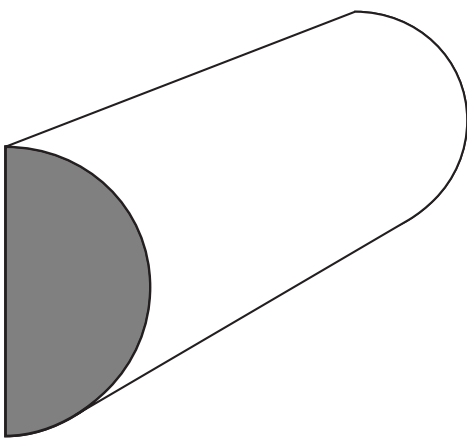
1/4" x 3/4" Shelf Edge 2EE



7/8" Half Round



1/4" x 3/4" Shelf Edge S4S



1 1/2" Half Round

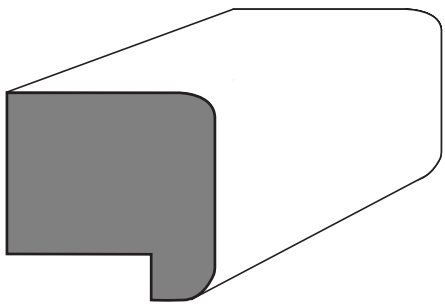
TLS - 12.01

Terry Lumber & Supply Company Inc.  
*Lumber, Builder's Supplies, Coal, Hardware, Mill Work*

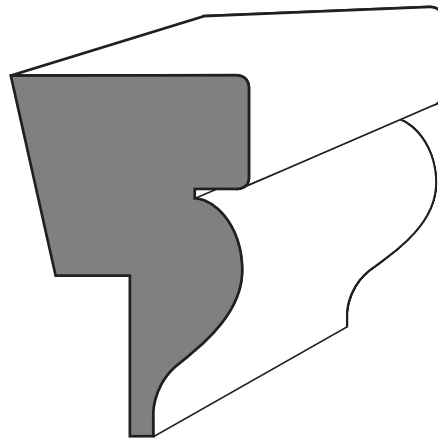
1710 West Mill Street | PO Box 216 | Peninsula, Ohio 44264  
Akron: 330 657-2811 Cleveland: 330 659-6800 Fax 330 657-2940



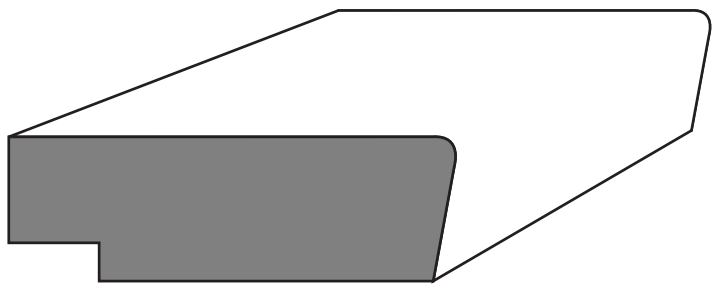
**Trim Moulding Profiles**  
[www.TerryLumberSupply.com](http://www.TerryLumberSupply.com)



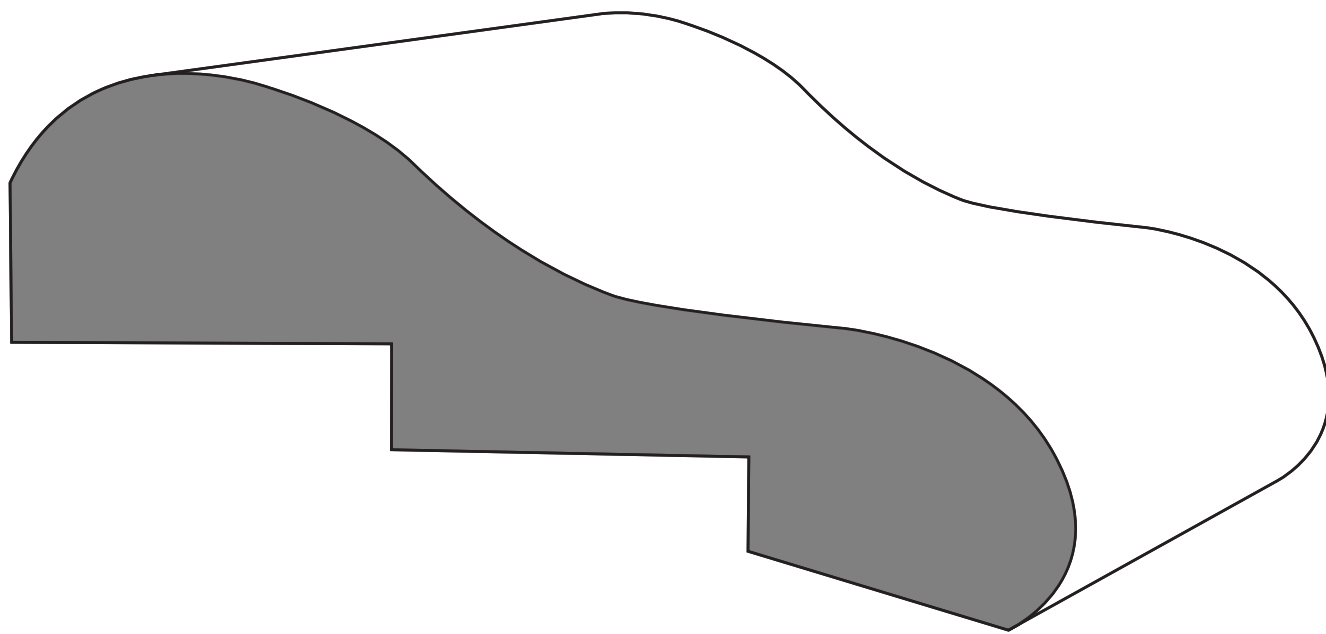
1 1/16" x 11/16" Backband



1 1/4" x 1 7/8" OG Backband



19/32" x 2 3/8" Narrowline



1 3/4" x 5 3/4" Bar Rail

TLS - 02.15

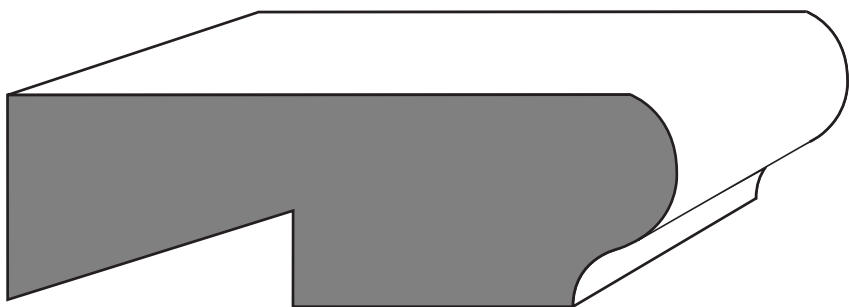
Terry Lumber & Supply Company Inc.  
Lumber, Builder's Supplies, Coal, Hardware, Mill Work

1710 West Mill Street | PO Box 216 | Peninsula, Ohio 44264  
Akron: 330 657-2811 Cleveland: 330 659-6800 Fax 330 657-2940

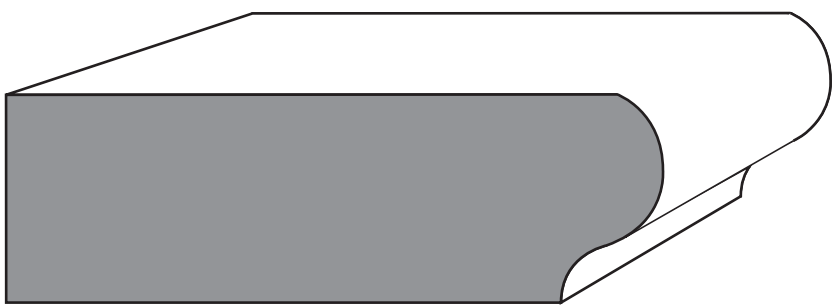


Tread and Rail Profiles  
www.TerryLumberSupply.com

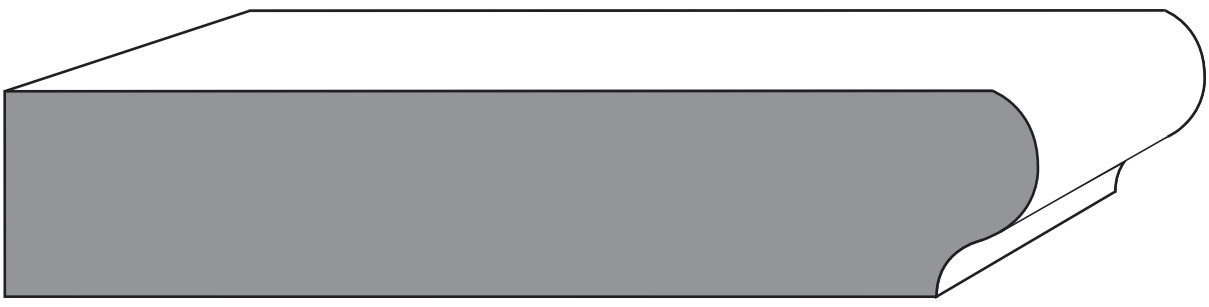




1 1/16" x 3 1/2" OG Stool



3 1/2" OG Stool - No Rabbet



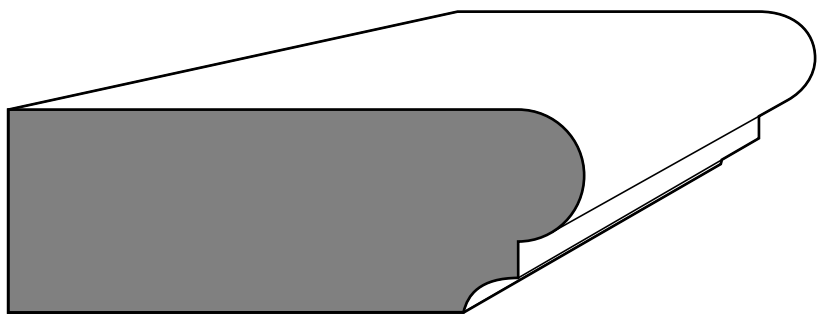
5 1/2" OG Stool - No Rabbet

TLS - 02.15

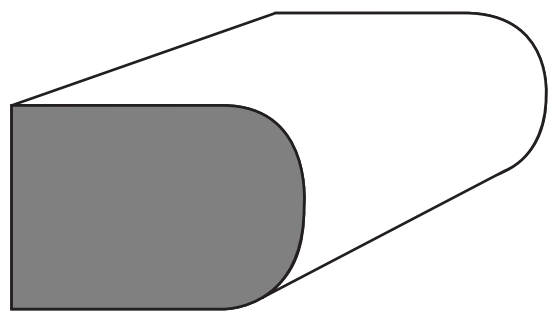
Terry Lumber & Supply Company Inc.  
*Lumber, Builder's Supplies, Coal, Hardware, Mill Work*  
1710 West Mill Street | PO Box 216 | Peninsula, Ohio 44264  
Akron: 330 657-2811 Cleveland: 330 659-6800 Fax 330 657-2940



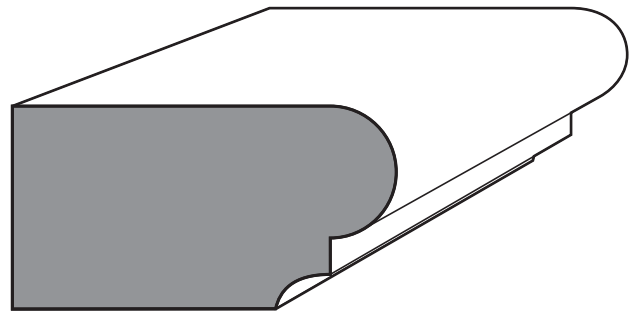
**Tread and Rail Profiles**  
[www.TerryLumberSupply.com](http://www.TerryLumberSupply.com)



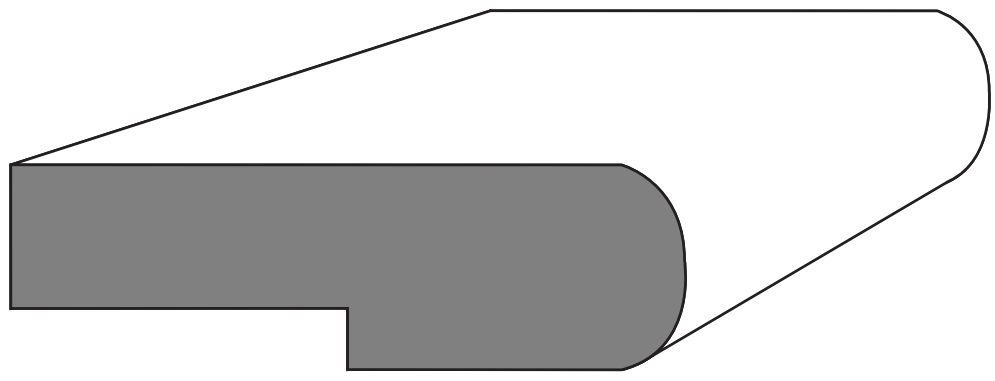
3" RC Stool



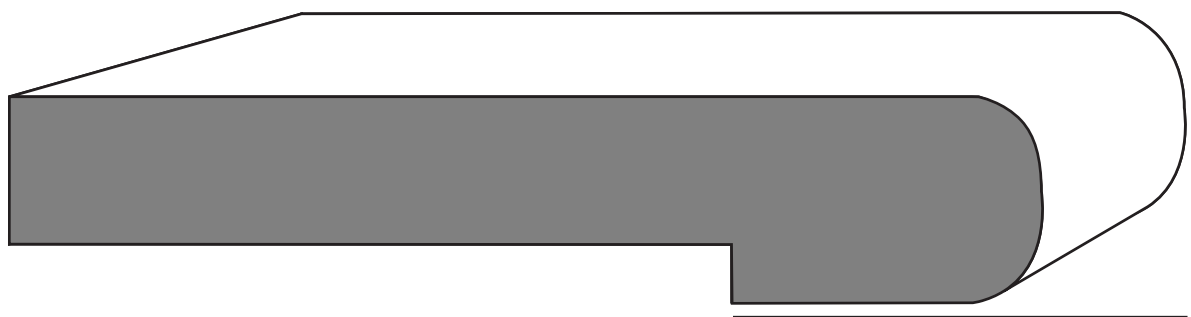
1 1/16" x 1 1/2" Bullnose



2" RC Stool



1 1/16" x 3 1/2" Landing Tread



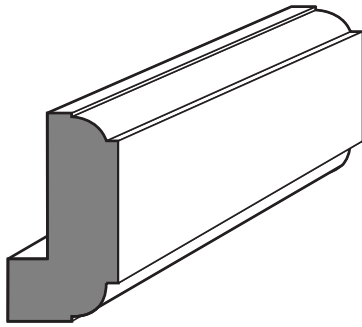
1 1/16" x 5 1/2" Landing Tread

TLS - 02.15

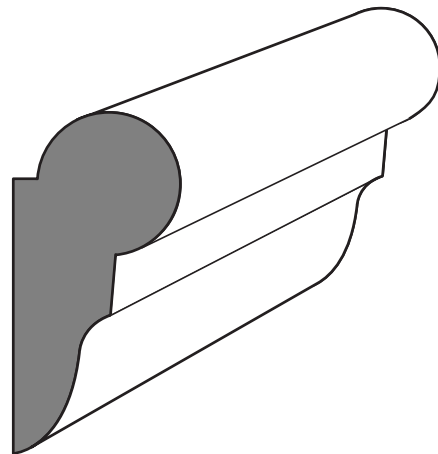
Terry Lumber & Supply Company Inc.  
Lumber, Builder's Supplies, Coal, Hardware, Mill Work  
1710 West Mill Street | PO Box 216 | Peninsula, Ohio 44264  
Akron: 330 657-2811 Cleveland: 330 659-6800 Fax 330 657-2940



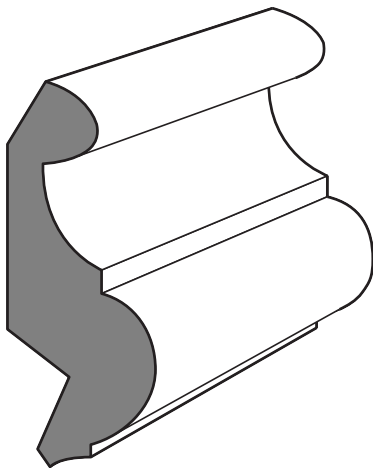
Tread and Rail Profiles  
www.TerryLumberSupply.com



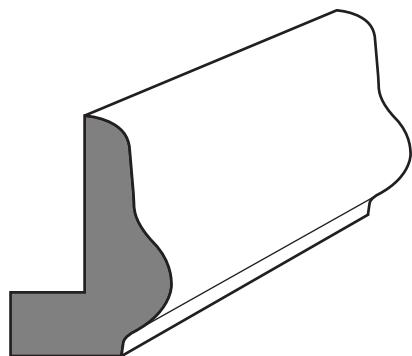
1 1/8" Panel Cap



1 3/4" Picture Mould



3/4" x 2" Raised Panel



1 1/4" Door Lip

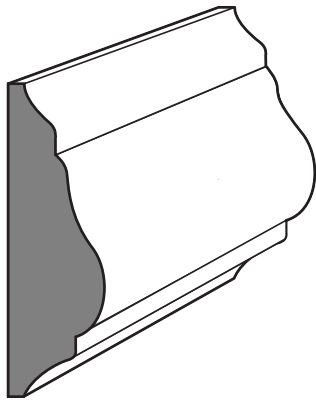
TLS - 02.04

Terry Lumber & Supply Company Inc.  
Lumber, Builder's Supplies, Coal, Hardware, Mill Work

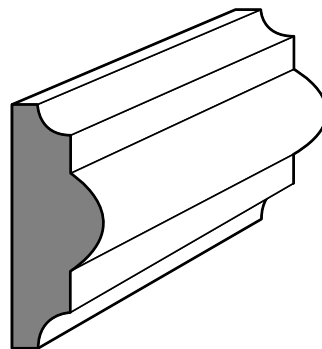
1710 West Mill Street | PO Box 216 | Peninsula, Ohio 44264  
Akron: 330 657-2811 Cleveland: 330 659-6800 Fax 330 657-2940



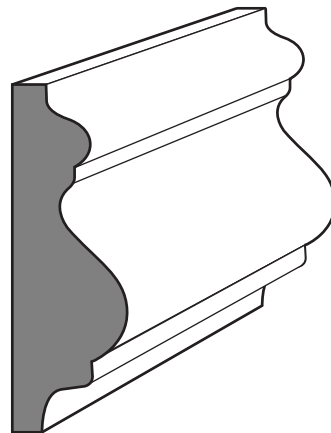
Panel Moulding Profiles  
www.TerryLumberSupply.com



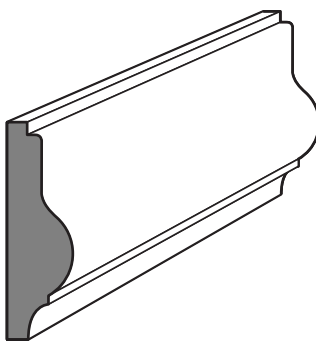
1 5/8" Flat Panel



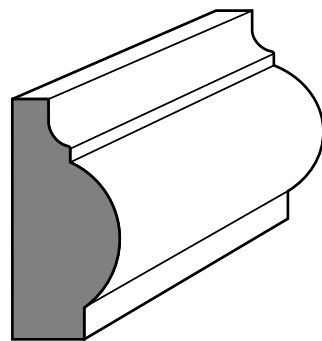
1 1/4" Flat Panel



1 3/4" Flat Panel



1 1/8" Flat Panel



1 1/4" Baron Flat Panel

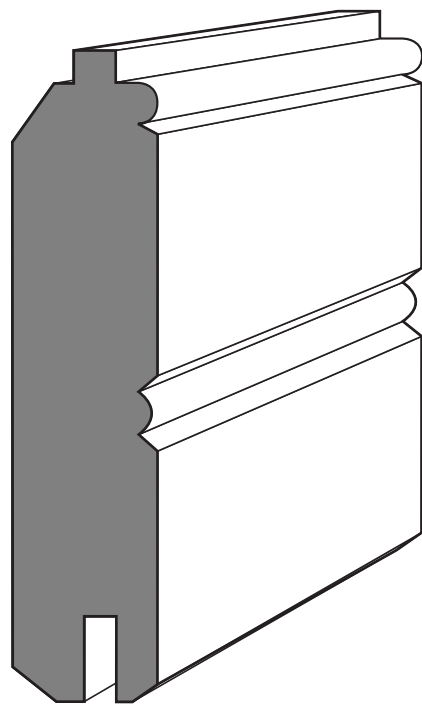
TLS - 03.07

Terry Lumber & Supply Company Inc.  
*Lumber, Builder's Supplies, Coal, Hardware, Mill Work*

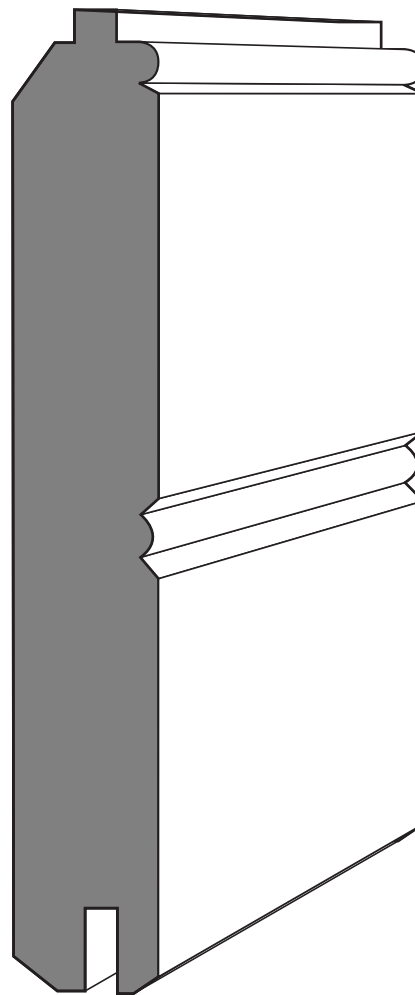
1710 West Mill Street | PO Box 216 | Peninsula, Ohio 44264  
Akron: 330 657-2811 Cleveland: 330 659-6800 Fax 330 657-2940



**Panel Moulding Profiles**  
[www.TerryLumberSupply.com](http://www.TerryLumberSupply.com)



Cedar 1 x 4" Philly Double Bead



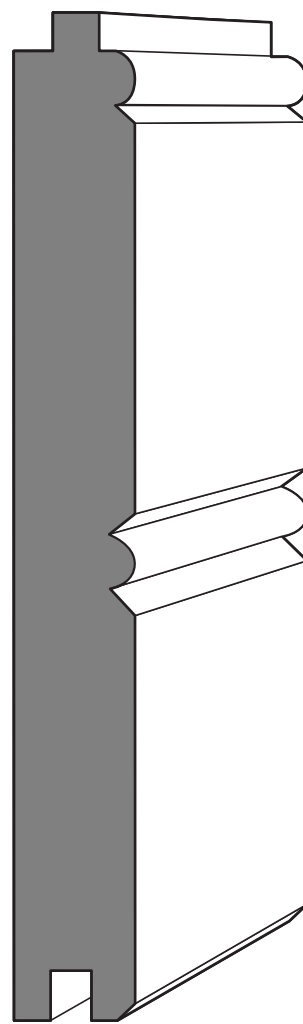
Cedar 1 x 6" Philly Double Bead

TLS - 03.07

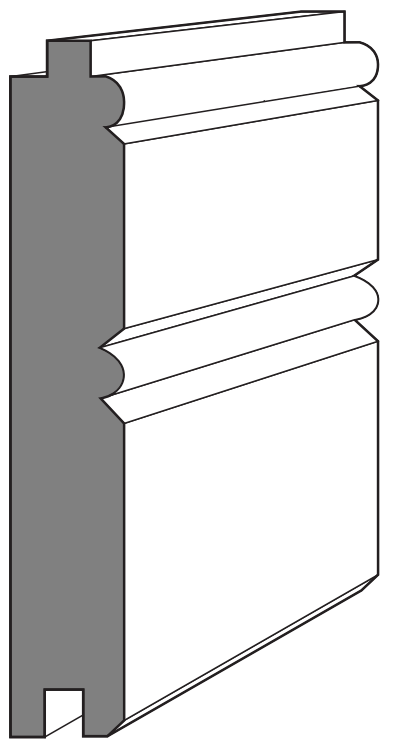
Terry Lumber & Supply Company Inc.  
*Lumber, Builder's Supplies, Coal, Hardware, Mill Work*  
1710 West Mill Street | PO Box 216 | Peninsula, Ohio 44264  
Akron: 330 657-2811 Cleveland: 330 659-6800 Fax 330 657-2940



**Tongue and Groove Profiles**  
[www.TerryLumberSupply.com](http://www.TerryLumberSupply.com)



Pine 1 x 6" Philly Double Bead



Pine 1 x 4" Philly Double Bead

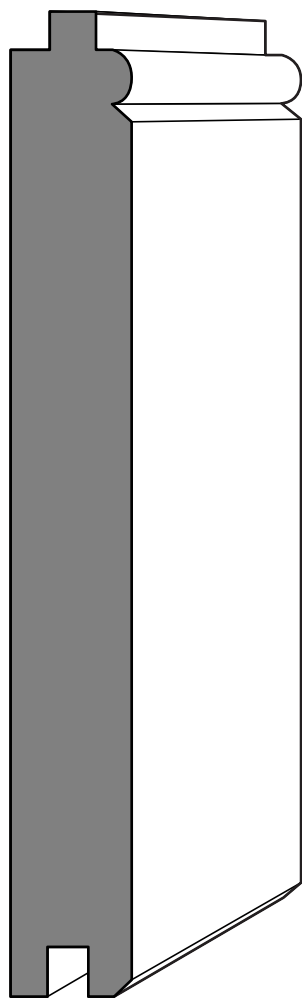
TLS - 03.07

Terry Lumber & Supply Company Inc.  
*Lumber, Builder's Supplies, Coal, Hardware, Mill Work*

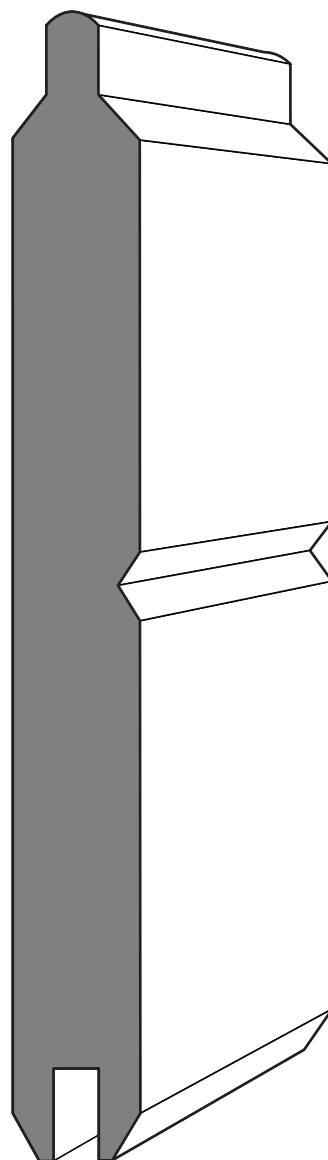
1710 West Mill Street | PO Box 216 | Peninsula, Ohio 44264  
Akron: 330 657-2811 Cleveland: 330 659-6800 Fax 330 657-2940



**Tongue and Groove Profiles**  
[www.TerryLumberSupply.com](http://www.TerryLumberSupply.com)



Pine 1 x 6" Single Bead



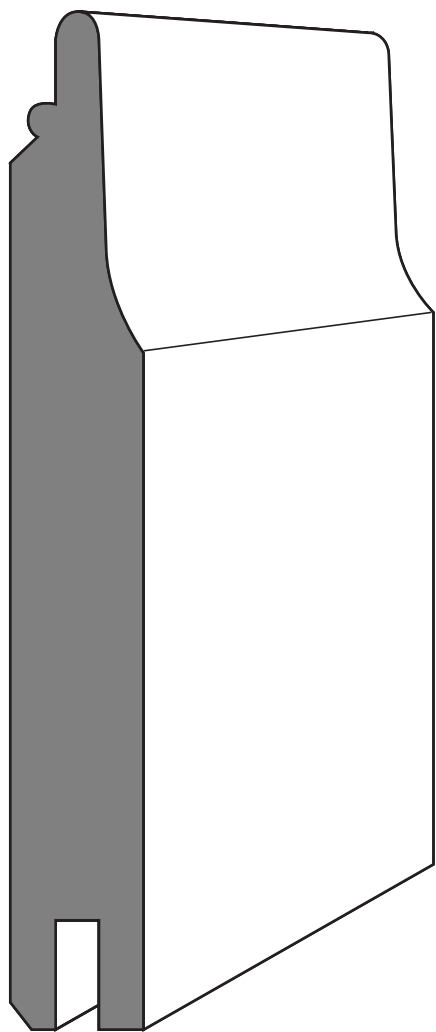
Pine 1 x 6" Pattern #116/WP4

TLS - 03.07

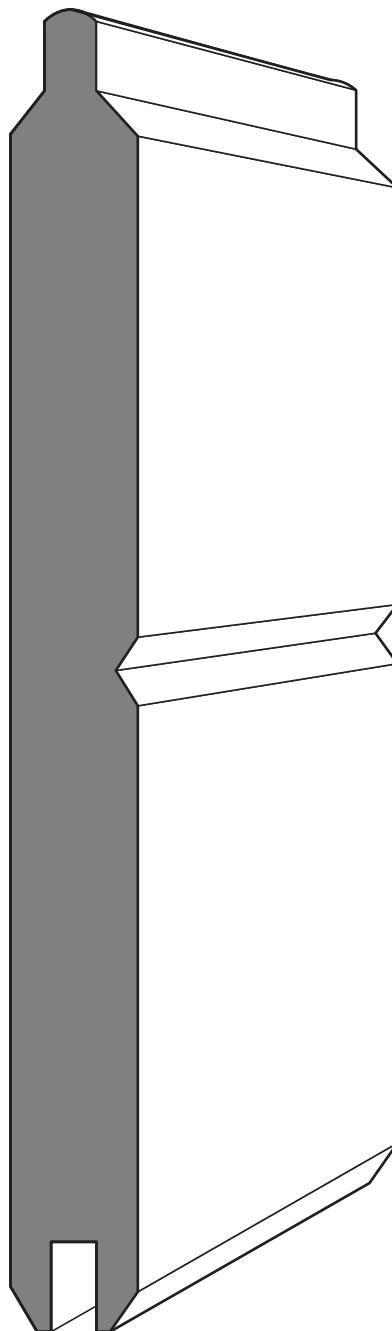
Terry Lumber & Supply Company Inc.  
*Lumber, Builder's Supplies, Coal, Hardware, Mill Work*  
1710 West Mill Street | PO Box 216 | Peninsula, Ohio 44264  
Akron: 330 657-2811 Cleveland: 330 659-6800 Fax 330 657-2940



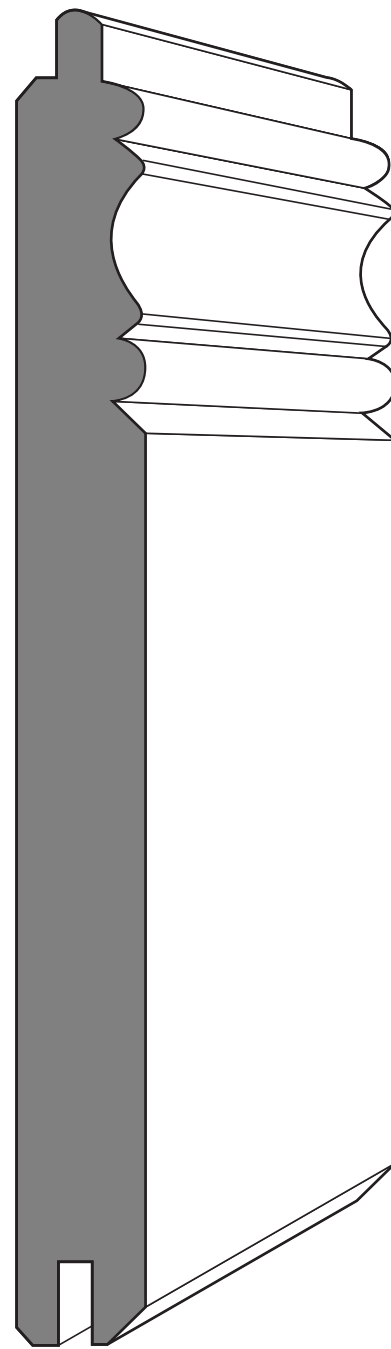
**Tongue and Groove Profiles**  
[www.TerryLumberSupply.com](http://www.TerryLumberSupply.com)



Pine Pattern # 106 1 x 6"



Pine 1 x 8" #116



Pine 1 x 8" Picwic

TLS - 03.07

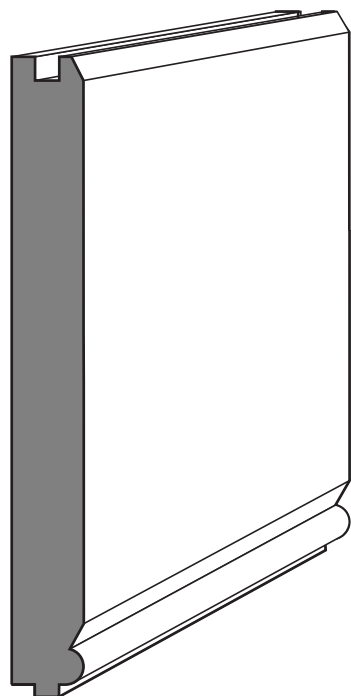
Terry Lumber & Supply Company Inc.  
Lumber, Builder's Supplies, Coal, Hardware, Mill Work

1710 West Mill Street | PO Box 216 | Peninsula, Ohio 44264  
Akron: 330 657-2811 Cleveland: 330 659-6800 Fax 330 657-2940

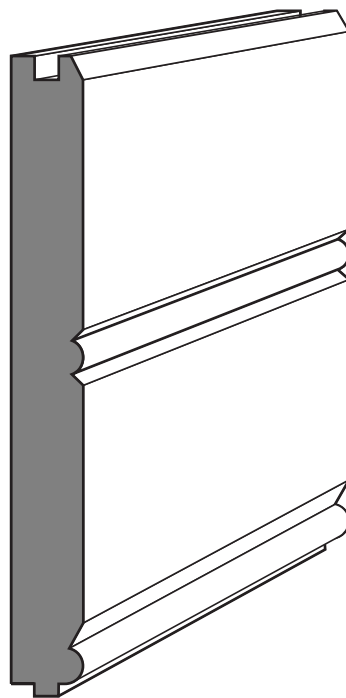


Tongue and Groove Profiles  
www.TerryLumberSupply.com





3/8 x 3 1/4" Single Bead



3/8 x 3 1/4" Double Bead

**Note:** Available in poplar and oak.  
Check availability for maple, cherry or other hardwoods.

TLS - 03.07

Terry Lumber & Supply Company Inc.  
*Lumber, Builder's Supplies, Coal, Hardware, Mill Work*

1710 West Mill Street | PO Box 216 | Peninsula, Ohio 44264  
Akron: 330 657-2811 Cleveland: 330 659-6800 Fax 330 657-2940



**Tongue and Groove Profiles**  
[www.TerryLumberSupply.com](http://www.TerryLumberSupply.com)